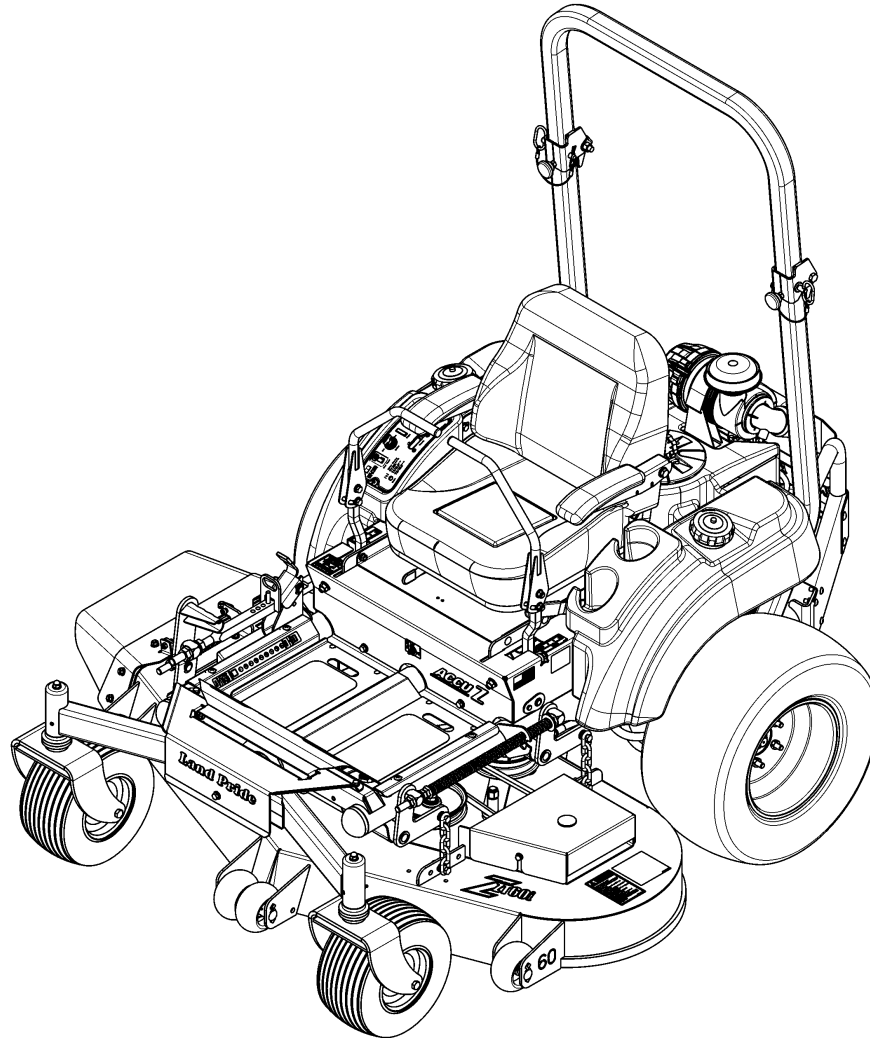


Zero Turn Mowers

ZT60i & ZT72i (S/N 748109-) Accu-Z®



30054

357-398P **Parts Manual**



Read the Operator's manual entirely. When you see this symbol, the subsequent instructions and warnings are serious - follow without exception. Your life and the lives of others depend on it!

© Copyright 2013 Printed 08/06/13

Cover photo may show optional equipment not supplied with standard unit.





Table of Contents

Section 1: Introduction.....	4	Section 9: Accessories.....	70
Using This Manual.....	4	60" Snow Blade Components.....	70
Manual Replacement Information.....	4	72" Snow Blade Components.....	72
Manual Revisions.....	4	Auxiliary Spring Kit.....	74
Touch-up Paint.....	4	Lift Jack Front Mount.....	76
Hardware Legend.....	5	Light Kit Z-Mowers.....	78
Replacement Hardware.....	5	Mulching Kit.....	80
Serial Numbers.....	5	Seat Spring Kit.....	82
Part Number Service Coding.....	5	Snow Blade Mount Kit ZT60.....	84
Section 2: Frame, Footrest and Seat.....	6	Snow Blade Mount Kit ZT72/ZXT.....	86
Footrest and Seat Support.....	6	Soft Top Canopy.....	88
Frame and Bumper.....	8		
ROPS Fixed W/ Seat Belt.....	10	Part Number Index.....	90
ROPS Folding W/ Seat Belt.....	12		
Seat Components Deluxe 839-320C.....	14		
Seat Components Suspension 839-002C.....	16		
Seat Deluxe With Spring Kit.....	18		
Section 3: Hydraulics and Steering Controls.....	20		
Hydraulic Expansion Tank/Filter.....	20		
Hydraulic Motor 810-666C.....	22		
Hydraulic Pump 810-816C & 810-817C.....	24		
Hydraulic Pump to Frame.....	26		
Hydraulic Pump/Motor Left Hand Drive.....	28		
Hydraulic Pump/Motor Right Hand Drive.....	30		
Steering and Speed Controls.....	32		
Section 4: Electrical, Control Panel and Brakes.....	34		
Battery and Control Panel.....	34		
Electrical Wiring Harness Main S/N 644620+.....	36		
Electrical Wiring Harness Kawasaki S/N 644620+.....	38		
Park Brake.....	40		
Wiring Harness Complete Kawasaki S/N 644619-.....	42		
Section 5: Engine, Fuel and Air Cleaner.....	44		
Air Cleaner Kawasaki 23.5 HP.....	44		
Air Cleaner Kawasaki 27 HP.....	46		
Engine Assembly 23.5 HP Kawasaki.....	48		
Engine Assembly 27 HP Kawasaki.....	50		
Fuel System S/N 672163-.....	52		
Fuel System S/N 672164+.....	54		
Section 6: Wheels.....	56		
Wheel Front Caster.....	56		
Wheel Rear Drive.....	58		
Section 7: Deck and Components.....	60		
Deck Components.....	60		
Deck Lift.....	62		
Deck Mounting Strut.....	64		
Deck Pulleys and Belt Drive.....	66		
Section 8: Labels.....	68		
Label Placement.....	68		

© Copyright 2013. All rights reserved.

Land Pride provides this publication "as is" without warranty of any kind, either expressed or implied. While every precaution has been taken in the preparation of this manual, Land Pride assumes no responsibility for errors or omissions. Neither is any liability assumed for damages resulting from the use of the information contained herein. Land Pride reserves the right to revise and improve its products as it sees fit. This publication describes the state of this product at the time of its publication, and may not reflect the product in the future. The illustrations in this manual are not intended for safe and proper assembly or disassembly of equipment. The illustrations are intended for ordering parts only.

Land Pride is registered trademark.

All other brands and product names are trademarks or registered trademarks of their respective holders.

Printed in the United States of America.



Alphabetized Table of Contents

<p>6 60" Snow Blade Components.....70</p> <p>7 72" Snow Blade Components.....72</p> <p>A Air Cleaner Kawasaki 23.5 HP.....44 Air Cleaner Kawasaki 27 HP.....46 Auxiliary Spring Kit.....74</p> <p>B Battery and Control Panel.....34</p> <p>D Deck Components.....60 Deck Lift.....62 Deck Mounting Strut.....64 Deck Pulleys and Belt Drive.....66</p> <p>E Electrical Wiring Harness Main S/N 644620+.....36 Electrical Wiring Harness Kawasaki S/N 644620+.....38 Engine Assembly 23.5 HP Kawasaki.....48 Engine Assembly 27 HP Kawasaki.....50</p> <p>F Footrest and Seat Support.....6 Frame and Bumper.....8 Fuel System S/N 672163-.....52 Fuel System S/N 672164+.....54</p> <p>H Hydraulic Expansion Tank/Filter.....20 Hydraulic Motor 810-666C.....22 Hydraulic Pump 810-816C & 810-817C.....24 Hydraulic Pump to Frame.....26 Hydraulic Pump/Motor Left Hand Drive.....28 Hydraulic Pump/Motor Right Hand Drive.....30</p> <p>L Label Placement.....68 Lift Jack Front Mount.....76 Light Kit Z-Mowers.....78</p> <p>M Mulching Kit.....80</p> <p>P Park Brake.....40</p> <p>R ROPS Fixed W/ Seat Belt.....10 ROPS Folding W/ Seat Belt.....12</p>	<p>S Seat Components Deluxe 839-320C.....14 Seat Components Suspension 839-002C.....16 Seat Deluxe With Spring Kit.....18 Seat Spring Kit.....82 Snow Blade Mount Kit ZT60.....84 Snow Blade Mount Kit ZT72/ZXT.....86 Soft Top Canopy.....88 Steering and Speed Controls.....32</p> <p>W Wheel Front Caster.....56 Wheel Rear Drive.....58 Wiring Harness Complete Kawasaki S/N 644619-.....42</p>
--	---

General Information

Using This Manual

This manual is divided into sections. The first section contains General Information. The remaining sections divide the machine into segments (i.e. Frames, Drives, Hydraulics, etc.) which illustrate and list all parts. A Parts Number Index is located at the back of the book.

The Land Pride parts in this manual are specially designed for this machine and should be replaced with Land Pride parts only.

The information in this manual is current at time of printing. Some parts may change to assure top performance.

Right-hand and left-hand as used in this manual are determined by facing the direction the machine will travel while in use.

Below is an example of two facing pages from a parts manual. Familiarize yourself with the type of information contained on these pages.

Manual Replacement Information

Replacement manuals are available. Refer to our website at www.landpride.com or e-mail us at lit@landpride.com for additional information. Our website continues to provide the most up-to-date manuals available.

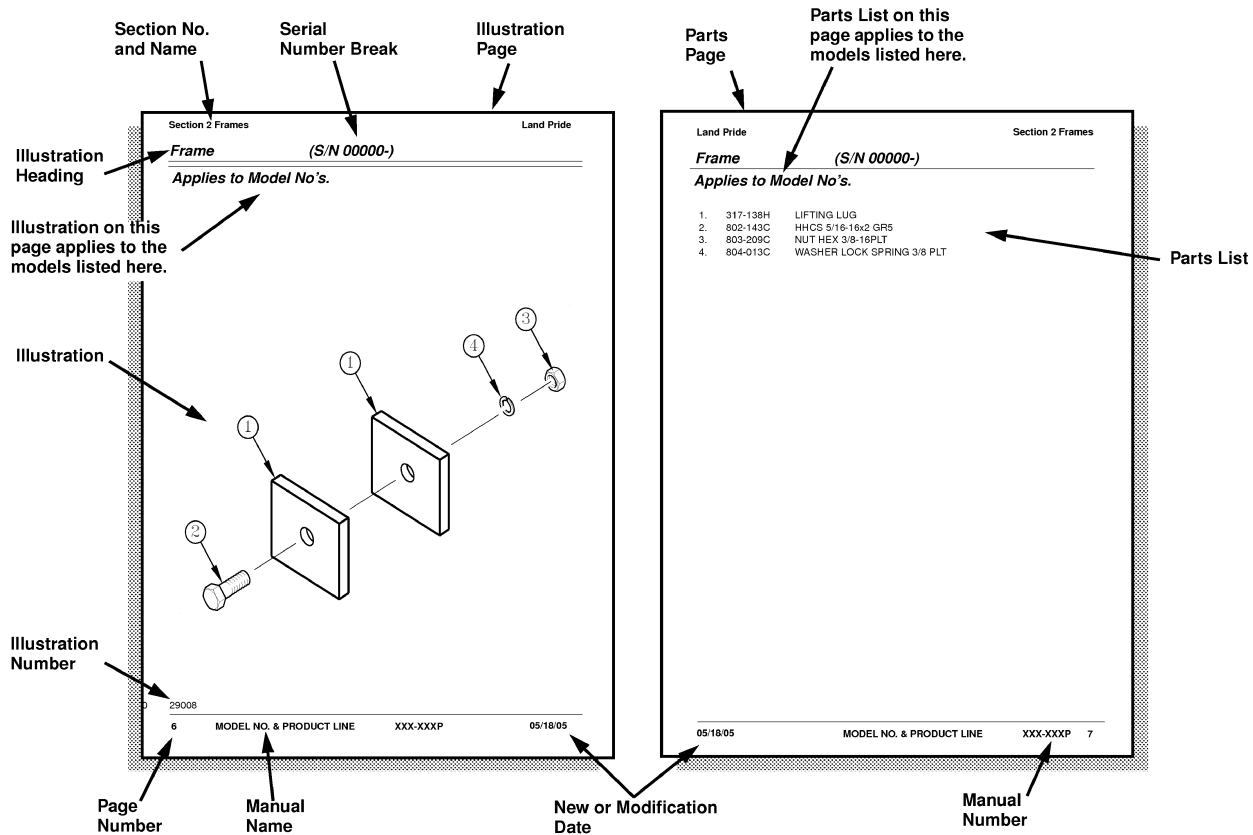
Touch-up Paint

Repaint parts where paint is worn or scratched to prevent rust. Aerosol cans and touch-up bottles with brush applicator are available through your local dealer. Land Pride color descriptions and part numbers are listed below. Also available are quart and gallon size paints. Add QT or GL to end of the Aerosol P/N.

Color	Product*	Aerosol	Touch-Up
Gloss Black	LP	821-032C	821-032CTU
Beige	LP	821-011C	821-011CTU
Green	SLP	821-058C	821-058CTU
Orange	SLP	821-066C	821-066CTU
Red	SLP	821-054C	821-054CTU
Blue	SLP	821-067C	821-067CTU

Notes:

- * LP = All Land Pride Products
- SLP = Select Land Pride Products that are available in optional Green, Orange and Red.



General Information

Hardware Legend

AR	As Required
BLADE	Blade Bolt
C	Cap Screw
CP	Cotter Pin
CPHSSS	Cup Point Hex Socket Set Screw
CPSHSS	Cup Point Square Head Set Screw
CPSQHSS	Cup Point Square Head Set Screw
CRFCHMS3	Cross Recess Flat Countersunk Head Machine Screw
CRPHMS	Cross Recess Pan Head Machine Screw
CRPHTF	Cross Recess Pan Head Thread Forming
CRRHMS	Cross Recess Round Head Machine Screw
CRTHMS	Cross Recess Truss Head Machine Screw
CSNB	Countersunk Square Neck Bolt
FHMS	Flat Head Machine Screw
FTC	Full Thread Cap Screw
H	Hex Nut
HCLN	Hex Center Lock Nut
HFLCS	Hex Flange Lock Cap Screw
HFS	Hex Flange Screw
HFSLN	Hex Flange Serrated Lock Nut
HFSS	Hex Flange Serrated Screw
HHCS	Hex Head Cap Screw or Metric Bolt
HSBHCS	Hex Socket Button Head Cap Screw
HSFCHCS	Hex Socket Flat Countersunk Head Cap Screw
HSHCS	Hex Socket Head Cap Screw
HSSS	Hex Socket Head Screw
HTLN	Hex Top Lock Nut
HWHCS	Hex Washer Head Cap Screw

HWHMS	Hex Washer Head Machine Screw
HXBHCS	Hex Socket Button Head Cap Screw
J	Hex Jam Nut
JIC	37 Degree Tapered Thread
L	Helical Spring Lock Washer
LUG	Lug Bolt
NFC	National Fine Cap Screw
NPSM	National Pipe Straight Mechanical
NPTF	National Pipe Taper Fuel
P	Wide Plain Washer
PHMS	Pan Head Machine Screw
PLOW	Plow Bolt
RHMS	Round Head Machine Screw
RHSNB	Round Head Square Neck Bolt
SCREW LEVELING	Leveling Screw
SCREW THUMB	Thumb Screw
SCREW WELD	Weld Screw
SFCHMS	Slotted Flat Countersunk Head Machine Screw
SFHMS	Slotted Fillister Head Machine Screw
SP	Special
SP SCREW	Special Screw
SQHSS	Square Head Set Screw
SRHMS	Slotted Round Head Machine Screw
SSS	Socket Set Screw
STCS	Self Tapping Cap Screw
STHMS	Slotted Truss Head Machine Screw
WHEEL	Wheel Studs and Hub Long Bolts
WING	Wing Bolt

Replacement Hardware

The **Hardware Legend** above lists hardware abbreviations used in the parts list. All bolts and nuts are Grade 5 unless otherwise noted. The use of improper grades of hardware can result in personal injury, damage to equipment, or loss of property.

Colored Replacement Parts

Land Pride offers replacement parts in factory standard colors and also on select models in Green, Orange, Red and Blue. Because of the variety of colors available, special attention must be given to the part number to prevent ordering the wrong replacement part.

A suffix number corresponding to one of the colors below must be added at the end of Land Pride's part number when ordering a replacement part with that color.

81 Green 83 Red
82 Orange 84 Blue

For example, if you are ordering a replacement part with part number 555-555C and the part you need is red, then add the suffix 83 to the end of the number to make the part number read 555-555C83. Parts ordered without a suffix number will be supplied in factory standard colors.

Black Replacement Parts

Some parts are factory standard black and some must be special ordered black. If your part is special ordered black, a second part number with the additional suffix number 85 on the end will be available. In this situation you must order that part with the suffix number for it to be black. Parts that are factory standard black will not have the suffix number.

Part Number Service Coding

Within the parts list some part numbers are coded for revisions and interchangeability. See notations in revision column.

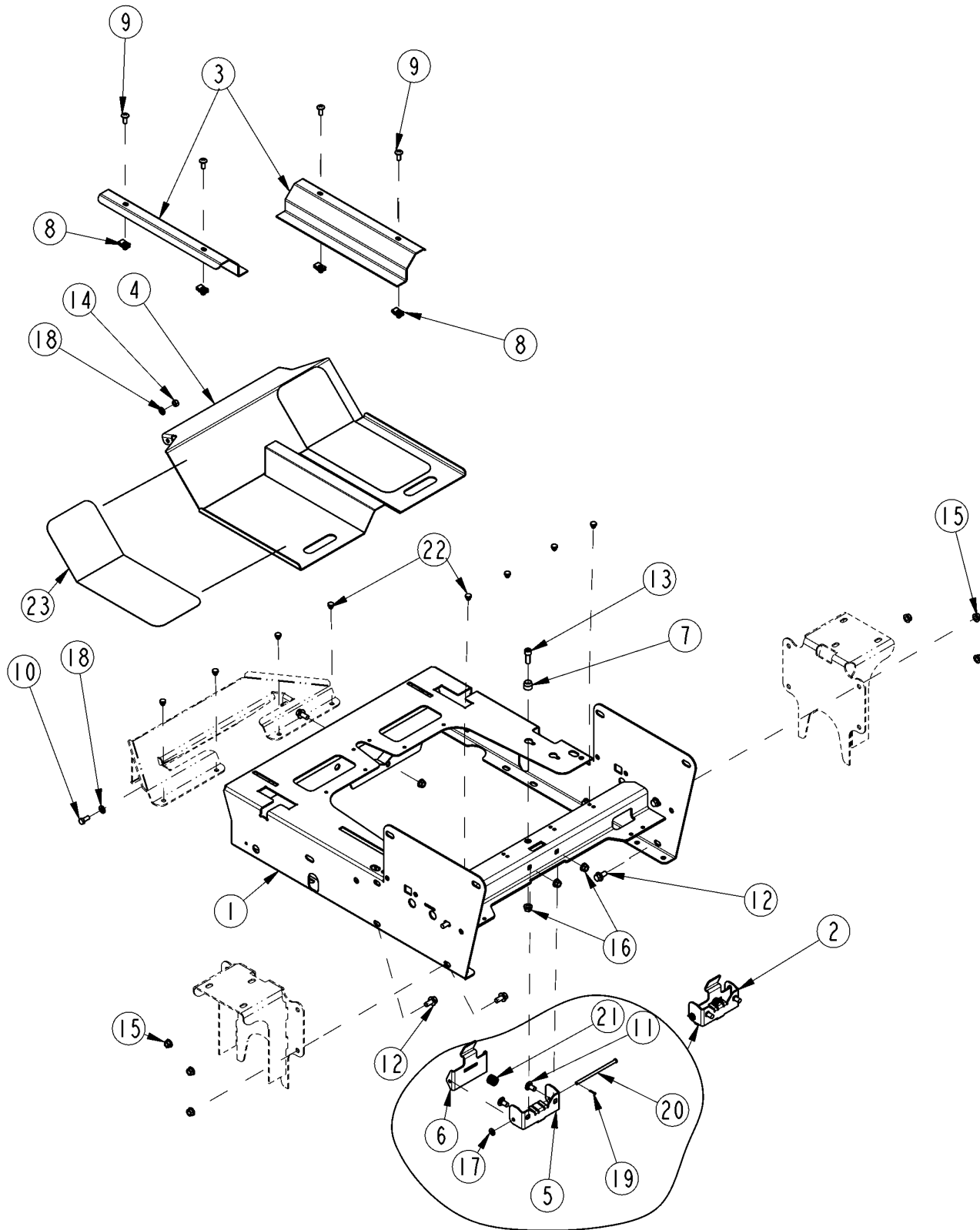
Serial Numbers

Always use the serial and model number when ordering parts. Refer to the Operator's Manual for serial number plate location.

- (S/N 20001+) Includes serial numbers 20001 and above (to the latest number)
- (S/N 10001 to 20000) Includes serial numbers between and including 10001 and 20000
- (S/N 10000-) Includes serial numbers 10000 and below (to the earliest number)

Footrest and Seat Support

Applies to ACCU-Z ZT60i (S/N 748109-), ACCU-Z ZT72i (S/N 748109-)



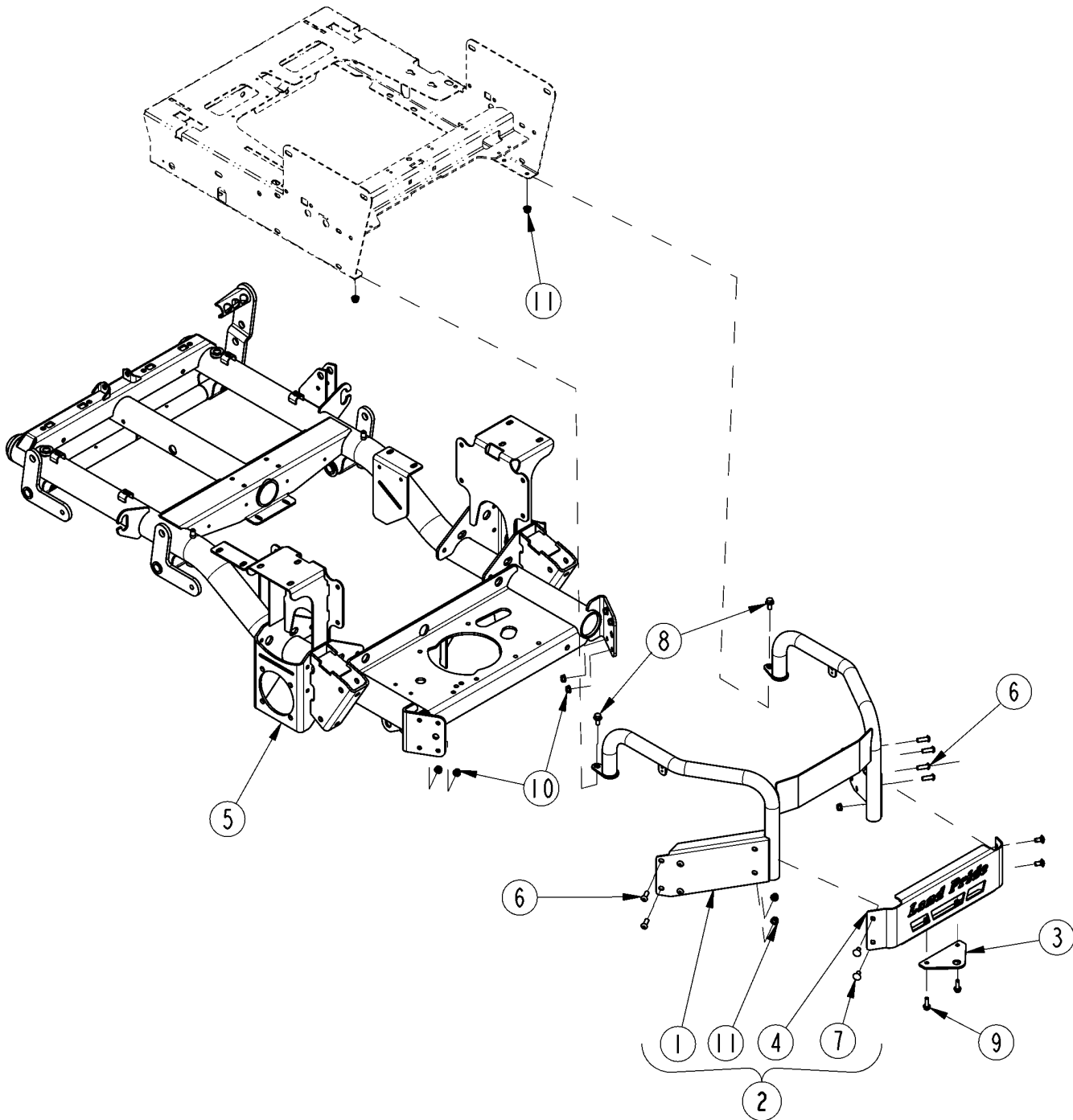
30034

Footrest and Seat Support**Applies to ACCU-Z ZT60i (S/N 748109-), ACCU-Z ZT72i (S/N 748109-)**

Ref	Part No.	Part Description	Comments	Revision
	dwg30034	Drawing Image Number		
1.	357-057H	BRACKET ASSY, SEAT SUPPORT		
2.	357-128L	LATCH ASSY, ACCU-Z SEAT		
3.	357-346D	COVER, RESERVOIR		
4.	357-412H	ASSEMBLY, FLOOR PAN		
4.	357-379H	OB RPBY 357-412H		
5.	357-408D	BRACKET, SEAT LATCH		
6.	357-409D	LEVER, SEAT LATCH		
7.	357-414D	PIN, SEAT PANEL ALIGNMENT		
8.	800-120C	NUT CLIP U-TYPE 5/16-18		
9.	801-202C	TPHMS Y 5/16-18X3/4 ZNYCR		
10.	802-007C	HHCS 5/16-18X3/4 GR5		
11.	802-149C	RHSNB 3/8-16X3/4 GR5		
12.	802-185C	HFSS 3/8-16X3/4 LG		
13.	802-478C	HSHCS 3/8-16X1		
14.	803-011C	NUT LOCK 5/16-18 PLT		
15.	803-068C	NUT HEX FLANGE 3/8-16 PLT		
16.	803-209C	NUT FLANGE LOCK 3/8-16 PLT		
17.	804-007C	WASHER FLAT 1/4 SAE PLT		
18.	804-036C	WASHER FLAT 5/16 SAE PLT		
19.	805-307C	PIN COTTER 3/32 X 1/2		
20.	805-391C	PIN CLEVIS 1/4 X 5 PLT		
21.	807-175C	SPRING COMP .796ODX.065WX1.22		
22.	816-491C	TAILGATE BUMPER		
23.	840-262C	TREAD, FLOOR PANEL		

Frame and Bumper

Applies to ACCU-Z ZT60i (S/N 748109-), ACCU-Z ZT72i (S/N 748109-)



30038

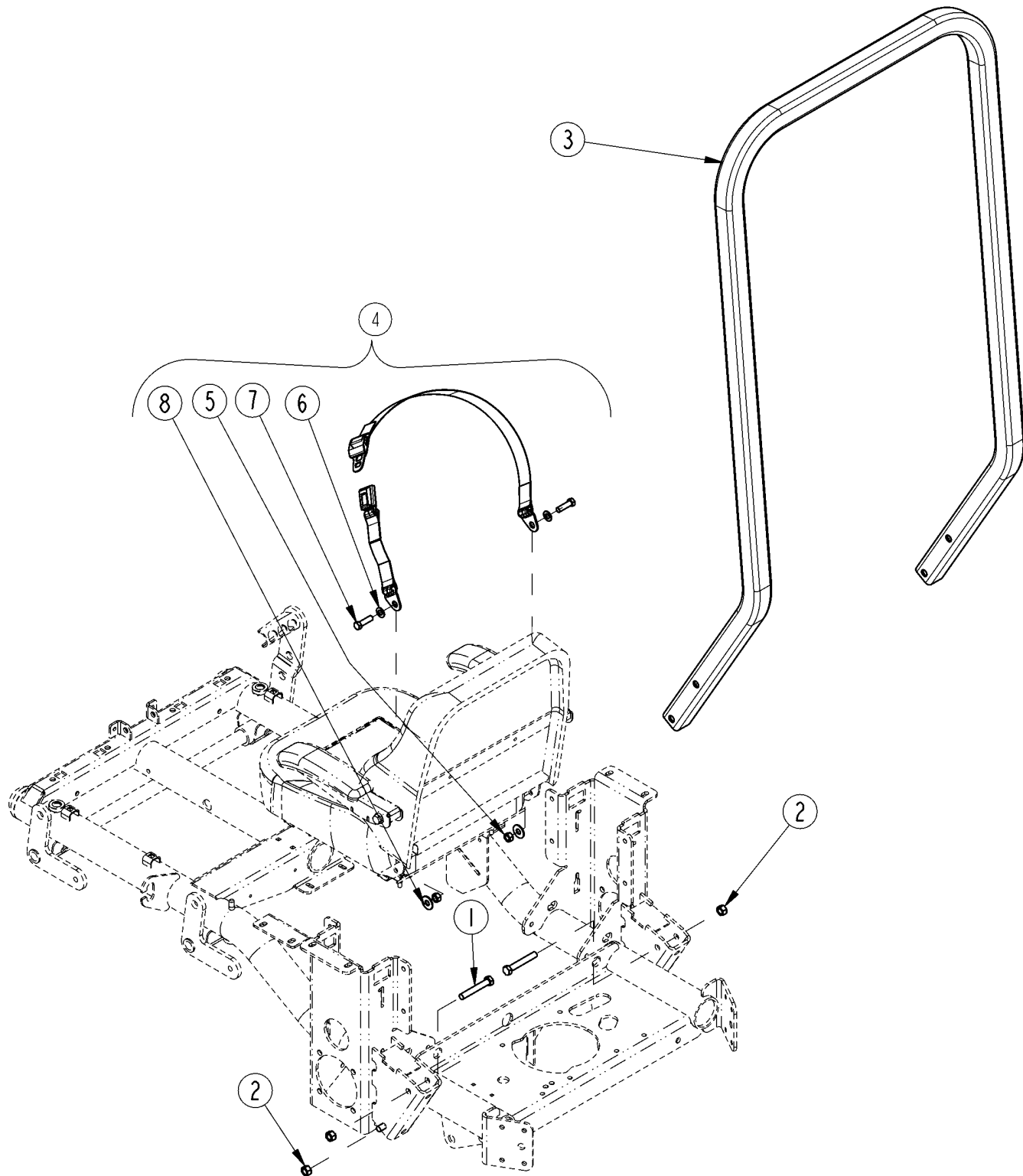
Frame and Bumper

Applies to ACCU-Z ZT60i (S/N 748109-), ACCU-Z ZT72i (S/N 748109-)

Ref	Part No.	Part Description	Comments	Revision
	dwg30038	Drawing Image Number		
1.	357-171H	GUARD REAR ENG		
2.	357-172S	REAR ENGN GRD		
3.	357-179D	HITCH, BUMPER		
4.	357-186V	BUMPER, CTR SECT W/NUTZERTS		
5.	357-368H	FRAME ASM,ACCU-Z MODEL B		
6.	801-069C	SCR HX SKT BUT CP 3/8-16X1 1/8		
7.	802-149C	RHSNB 3/8-16X3/4 GR5		
8.	802-185C	HFSS 3/8-16X3/4 LG		
9.	802-431C	HFSS 5/16-18X1 GR5 PLT		
10.	803-068C	NUT HEX FLANGE 3/8-16 PLT		
11.	803-209C	NUT FLANGE LOCK 3/8-16 PLT		

ROPS Fixed W/ Seat Belt

Applies to ACCU-Z ZT60i (S/N 748109-), ACCU-Z ZT72i (S/N 748109-)



24684

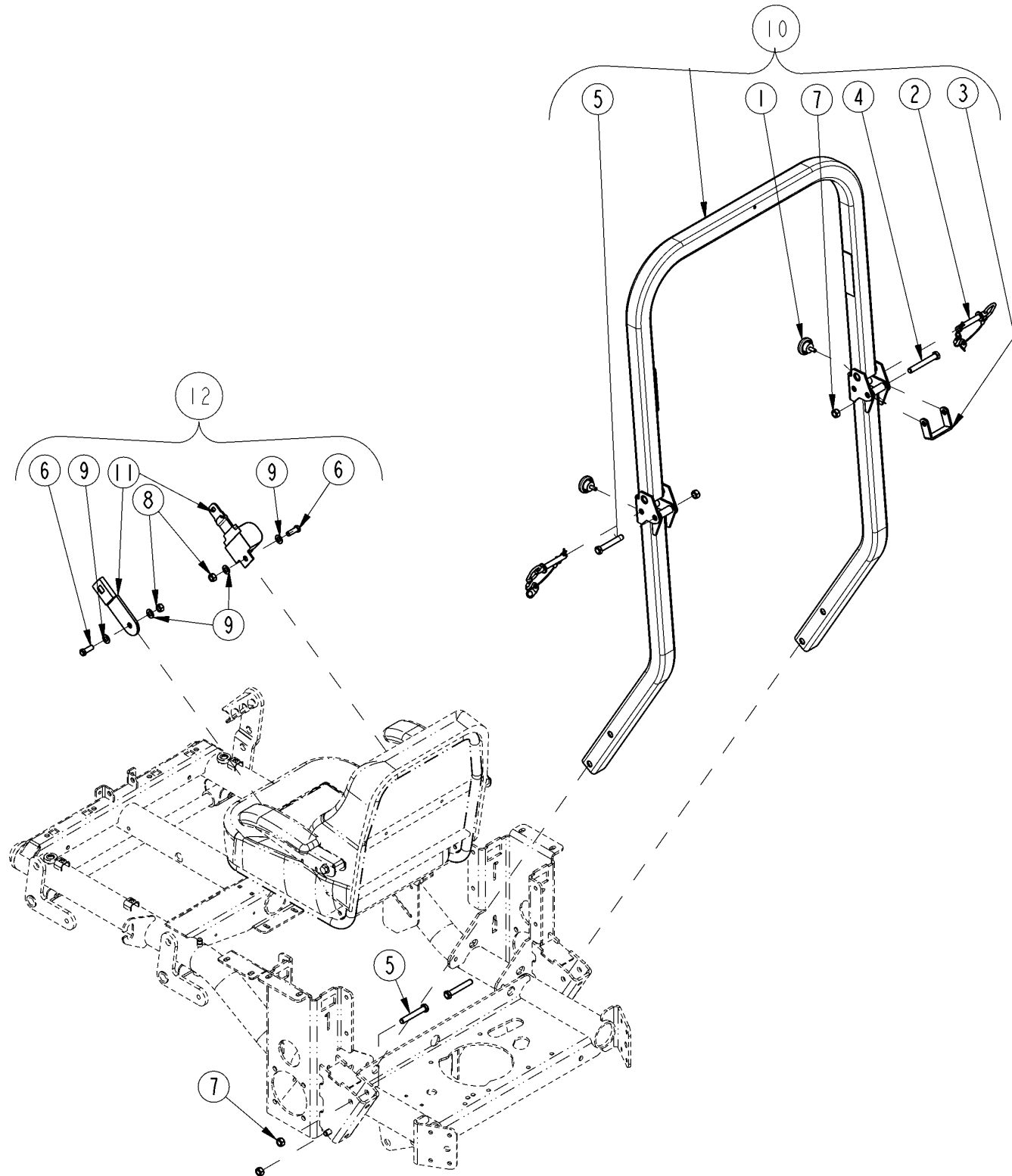
ROPS Fixed W/ Seat Belt

Applies to ACCU-Z ZT60i (S/N 748109-), ACCU-Z ZT72i (S/N 748109-)

Ref	Part No.	Part Description	Comments	Revision
	dwg24684 357-145A	Drawing Image Number ROPS BNDL,ACCUZ FIXED *		
1.	802-099C	HHCS 1/2-13X3 1/4 GR5		
2.	803-019C	NUT LOCK 1/2-13 PLT		
3.	823-243C	ROPS,ACCUZ FIXED		
4.	840-073C	SEAT BELT KIT		
5.	9WM641-8	WISE 7/16-20 ST BELT NYLOK NUT		
6.	9WM641-9	WISE 7/16 SAE SEAT BELT WASHER		
7.	XP8513	WISE 7/16-20X1 1/2 ST BELT BLT		
8.	XP8510	WISE 7/16 USS SEAT BELT WASHER		

ROPS Folding W/ Seat Belt

Applies to ACCU-Z ZT60i (S/N 748109-), ACCU-Z ZT72i (S/N 748109-)



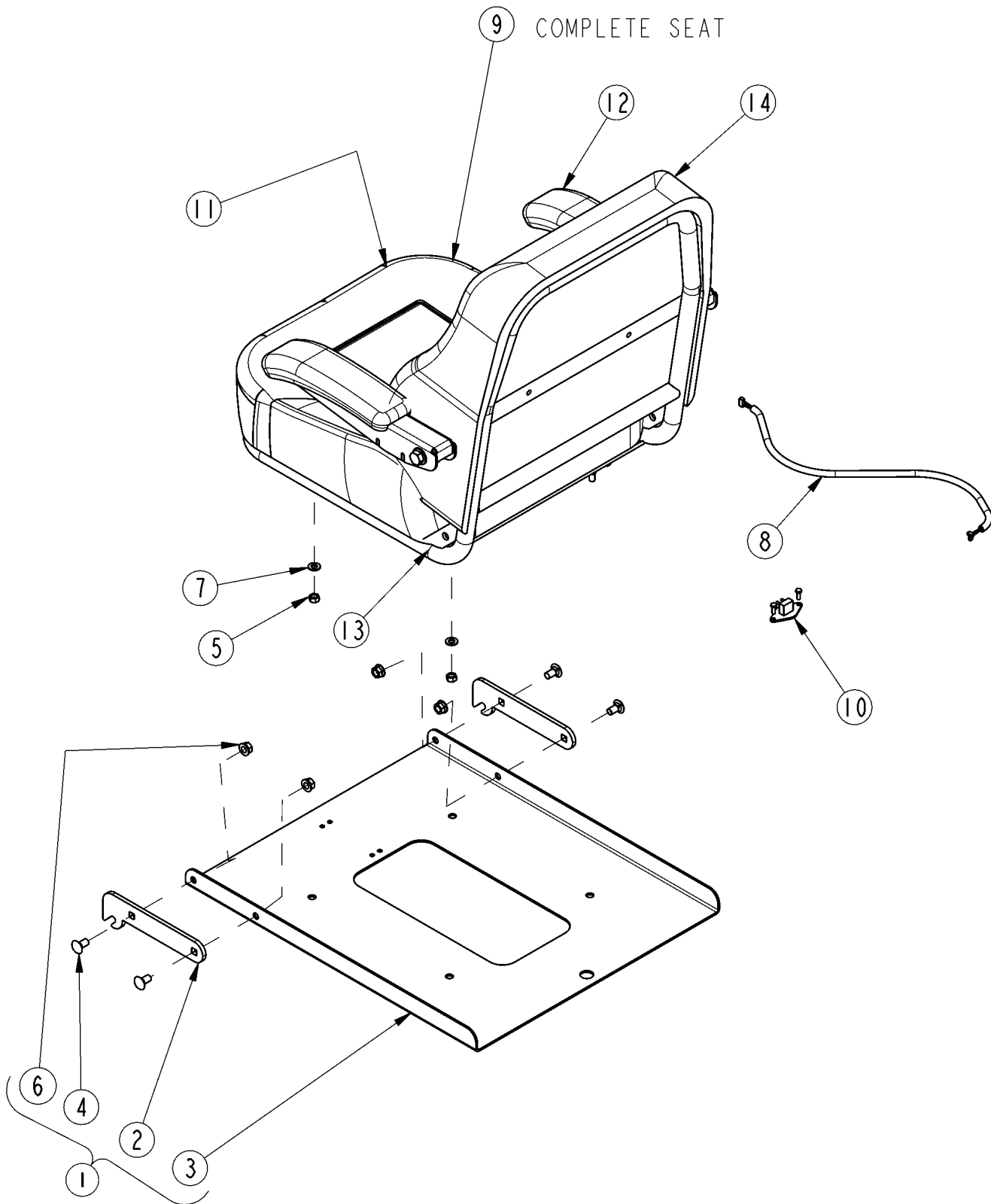
24683

ROPS Folding W/ Seat Belt**Applies to ACCU-Z ZT60i (S/N 748109-), ACCU-Z ZT72i (S/N 748109-)**

Ref	Part No.	Part Description	Comments	Revision
	dwg24683 357-146A	Drawing Image Number ROPS BNDL,ACCUZ FOLDING *	Complele Rops W/ Seat Belt	
1.	230024700	LOCKING KNOB		
2.	230321672	PIN, ROPS HINGE		
3.	711943772	ROPS STOP 2.32		
4.	802-042C	HHCS 1/2-13X3 3/4 GR5		
5.	802-099C	HHCS 1/2-13X3 1/4 GR5		
6.	802-227C	HHCS 7/16-20X1 1/4 GR8		
7.	803-019C	NUT LOCK 1/2-13 PLT		
8.	803-333C	NUT HEX NYLOCK 7/16-20 PLT		
9.	804-041C	WASHER FLAT 7/16 SAE PLT		
10.	823-392C	ASY, ZTI FOLDING ROPS ISO	S/N 697663+	
10.	823-249C	RPBY 823-392C	S/N 697662-	
11.	840-272C	SEAT BELT RETRACTABLE		
11.	840-073C	RPBY 840-272C		
12.	357-420A	KIT, Z-MWRS RTRCTABLE SEAT BLT	Service Kit	

Seat Components Deluxe 839-320C

Applies to ACCU-Z ZT60i (S/N 748109-), ACCU-Z ZT72i (S/N 748109-)



30077

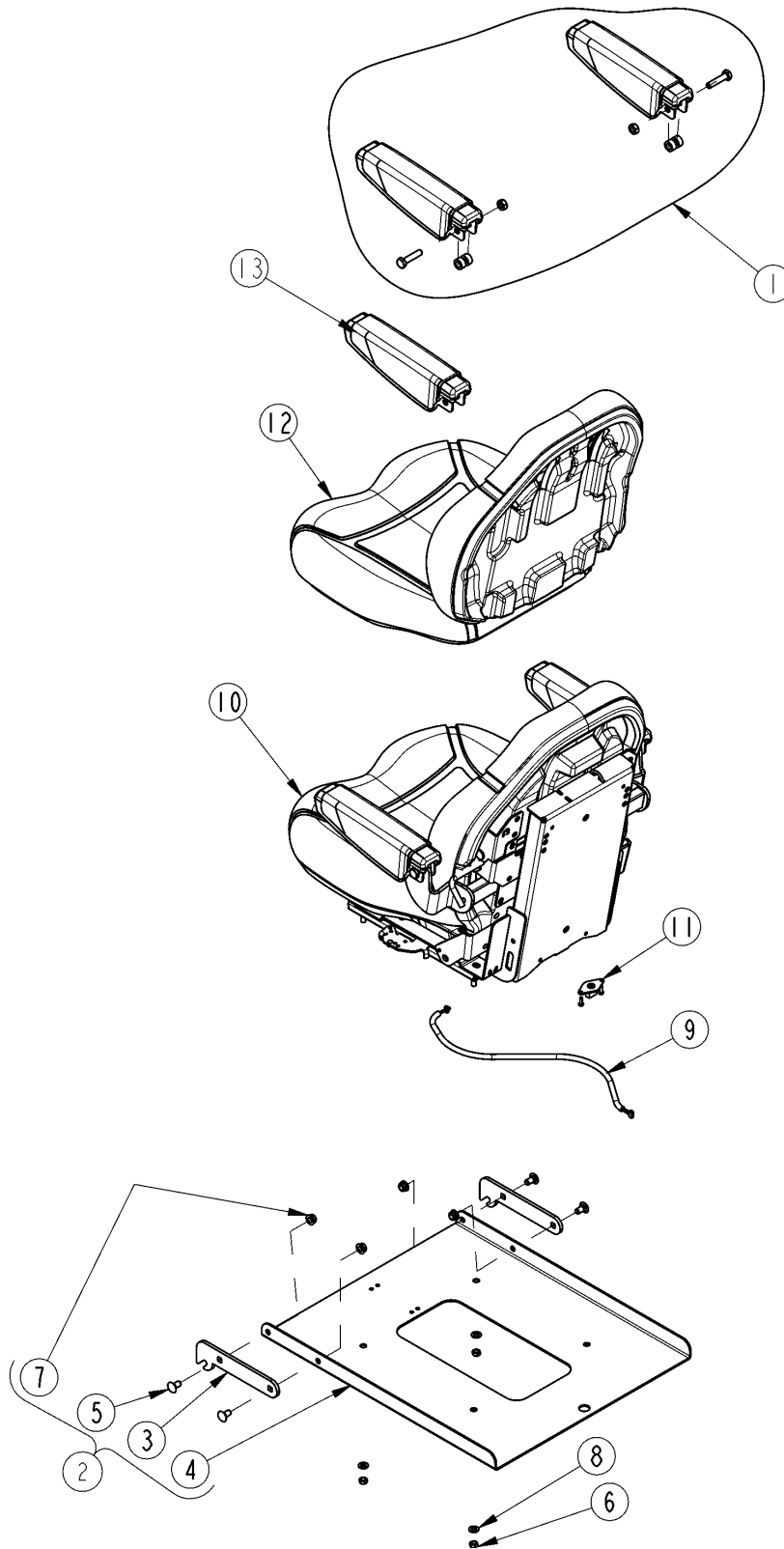
Seat Components Deluxe 839-320C

Applies to ACCU-Z ZT60i (S/N 748109-), ACCU-Z ZT72i (S/N 748109-)

Ref	Part No.	Part Description	Comments	Revision
	dwg30077	Drawing Image Number		
1.	357-289S	ASSEMBLY,SEAT BASE		
2.	357-615D	BLADE,SEAT HINGE		
3.	357-652D	PANEL,SEAT SUPPORT		
4.	802-149C	RHSNB 3/8-16X3/4 GR5		
5.	803-011C	NUT LOCK 5/16-18 PLT		
6.	803-209C	NUT FLANGE LOCK 3/8-16 PLT		
7.	804-036C	WASHER FLAT 5/16 SAE PLT		
8.	833-445C	HARNESS ASSY,SEAT SWITCH		
9.	839-320C	SEAT BLACK DELUXE CUSHION		
10.	839-970C	KY SEAT SAFETY SWITCH		
11.	839-416C	SKING BOTTOM SEAT COVER		
12.	839-385C	SKING ARM REST KIT		
13.	839-971C	KY SEAT TRACK (PAIR) 839-320C		
14.	839-411C	SKING BACK SEAT COVER		

Seat Components Suspension 839-002C

Applies to ACCU-Z ZT60i (S/N 748109-), ACCU-Z ZT72i (S/N 748109-)



30078

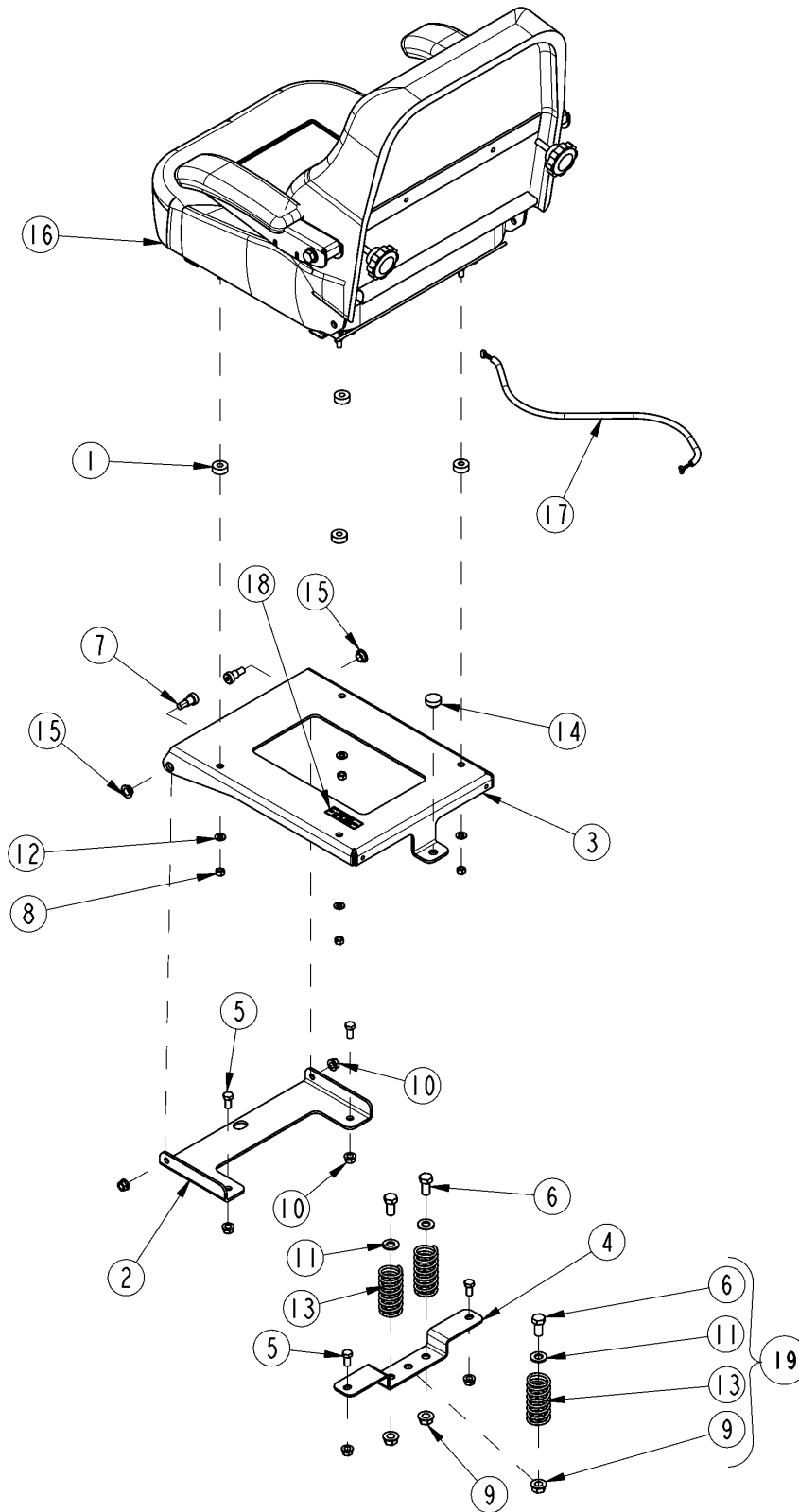
Seat Components Suspension 839-002C

Applies to ACCU-Z ZT60i (S/N 748109-), ACCU-Z ZT72i (S/N 748109-)

Ref	Part No.	Part Description	Comments	Revision
	dwg30078	Drawing Image Number		
1.	839-417C	MILSCO ARMREST KIT		
2.	357-289S	ASSEMBLY,SEAT BASE		
3.	357-615D	BLADE,SEAT HINGE		
4.	357-652D	PANEL,SEAT SUPPORT		
5.	802-149C	RHSNB 3/8-16X3/4 GR5		
6.	803-011C	NUT LOCK 5/16-18 PLT		
7.	803-209C	NUT FLANGE LOCK 3/8-16 PLT		
8.	804-036C	WASHER FLAT 5/16 SAE PLT		
9.	833-445C	HARNESS ASSY,SEAT SWITCH		
10.	839-002C	SEAT SUSPBLK LOW PROFILE		
11.	839-148C	OPERATOR PRESENCE SWITCH KIT		
12.	839-149C	CUSHION/PAN FOR CR-100 KIT		
13.	839-418C	ARM REST, INDIVIDUAL 839-417C		

Seat Deluxe With Spring Kit

Applies to ACCU-Z ZT60i (S/N 748109-), ACCU-Z ZT72i (S/N 748109-)



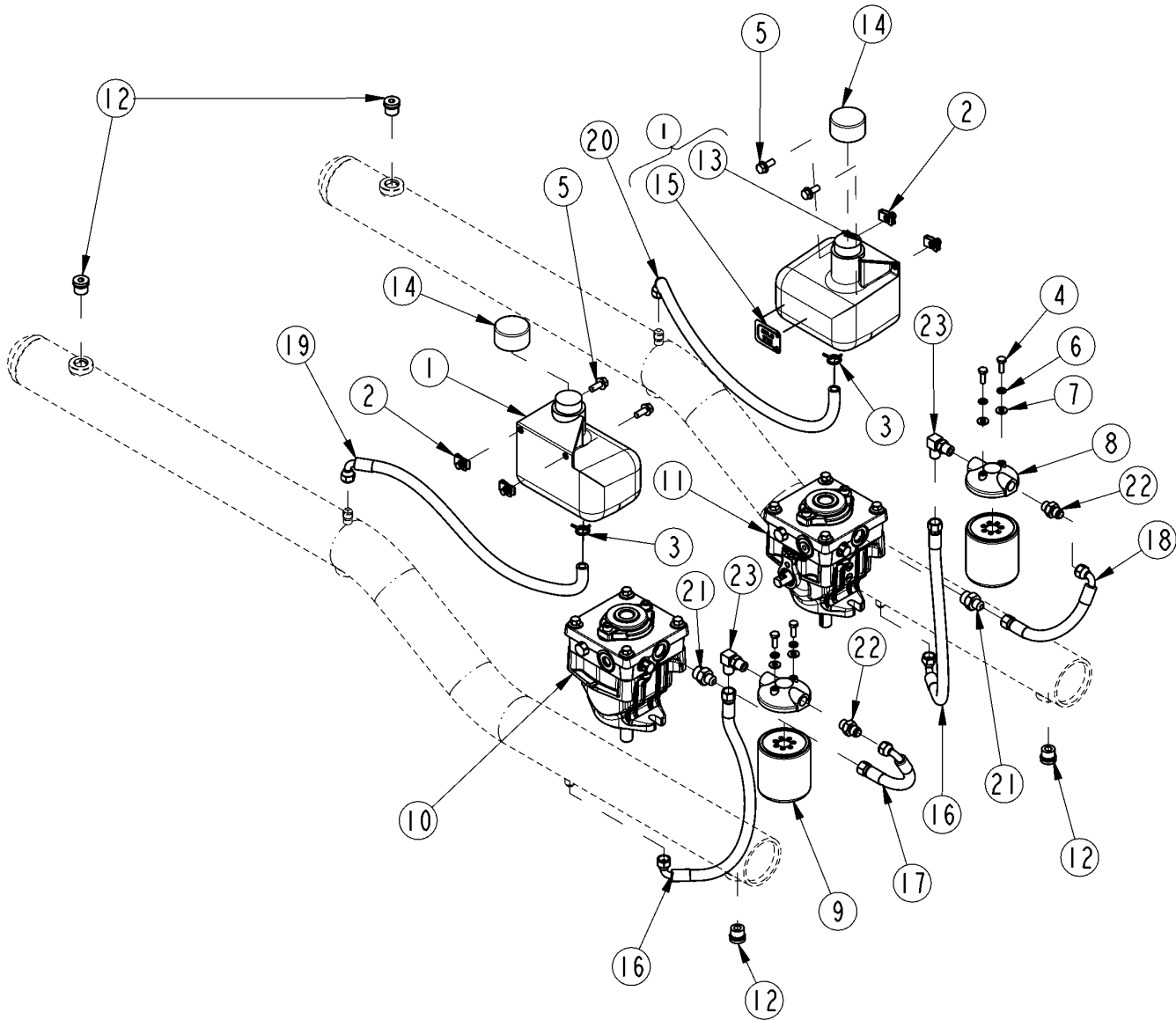
30036

Seat Deluxe With Spring Kit**Applies to ACCU-Z ZT60i (S/N 748109-), ACCU-Z ZT72i (S/N 748109-)**

Ref	Part No.	Part Description	Comments	Revision
	dwg30036	Drawing Image Number		
	357-408A	DELUXE SEAT WITH SPRING KIT *		
1.	356-074D	SPCR DELUXE SEAT MNT RAZOR PRO		
2.	357-910D	PIVOT PLATE ADAPTER		
3.	357-911D	HINGE SPRING PAN		
4.	357-912D	SPRING SADDLE		
5.	802-014C	HHCS 3/8-16X3/4 GR5		
6.	802-258C	HHCS 1/2-13X1 GR5		
7.	802-747C	SHLDR BLT 1/2DX1/2L 3/8-16 SS		
8.	803-011C	NUT LOCK 5/16-18 PLT		
9.	803-193C	NUT HEX FLANGE 1/2-13 GR G PLT		
10.	803-209C	NUT FLANGE LOCK 3/8-16 PLT		
11.	804-016C	WASHER FLAT 1/2 SAE PLT		
12.	804-036C	WASHER FLAT 5/16 SAE PLT		
13.	807-288C	SPRG 1.55ODX1.65WX3.5L SEATPAN		
14.	816-483C	BUMPER, 1.00X.31THK PUSH IN		
15.	817-560C	BSHG FLG .50IDX.62ODX.31L		
16.	839-320C	SEAT BLACK DELUXE CUSHION		
17.	833-445C	HARNES ASSY,SEAT SWITCH		
18.	848-496C	DECAL, AUX SPRING KIT		
19.	357-405A	KIT, AUX SPRG, SPRG SEAT PAN	Optional As required	

Hydraulic Expansion Tank/Filter

Applies to ACCU-Z ZT60i (S/N 748109-), ACCU-Z ZT72i (S/N 748109-)



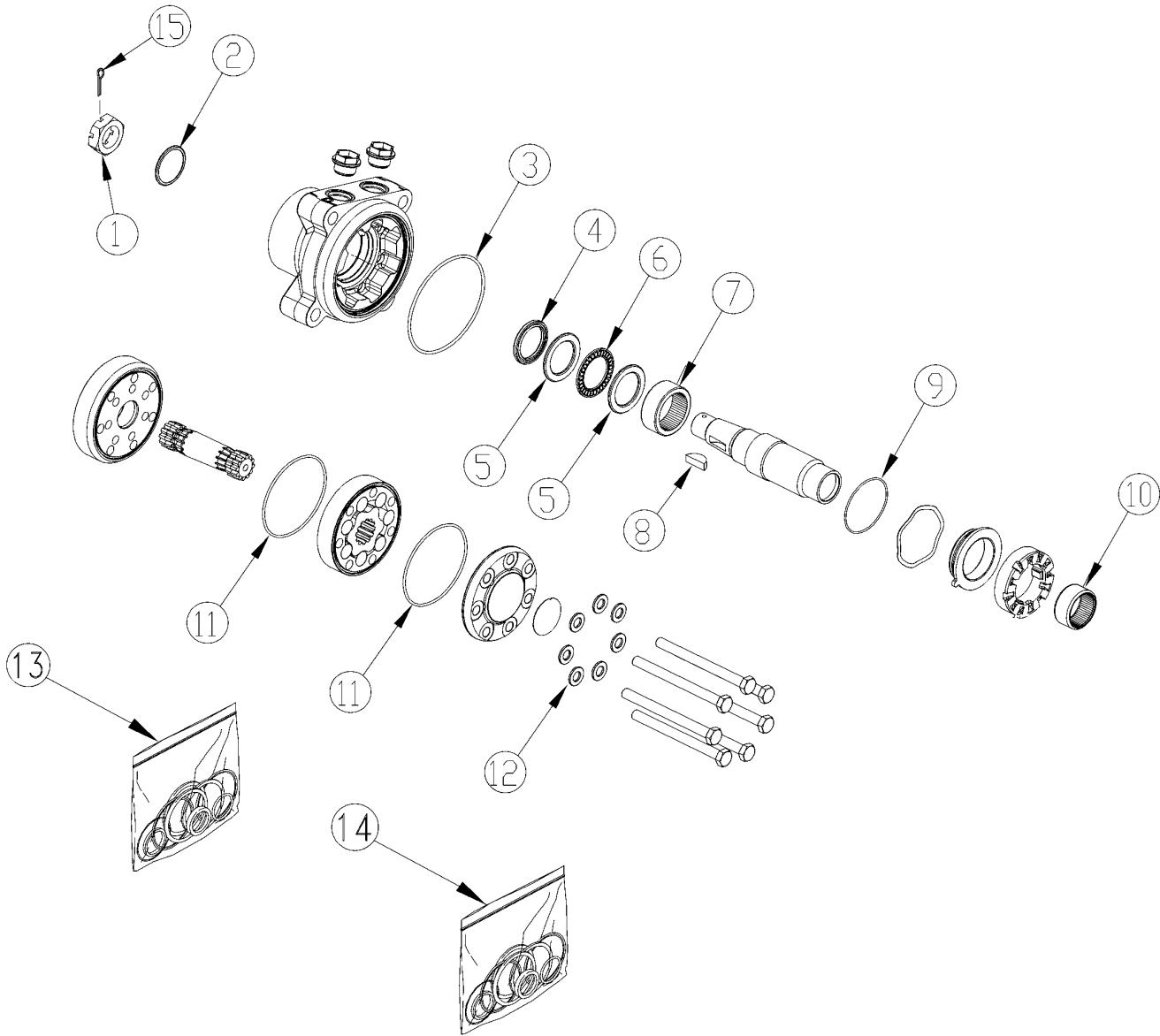
30039

Hydraulic Expansion Tank/Filter**Applies to ACCU-Z ZT60i (S/N 748109-), ACCU-Z ZT72i (S/N 748109-)**

Ref	Part No.	Part Description	Comments	Revision
	dwg30039	Drawing Image Number		
1.	357-137L	EXPANSION TANK W/DECAL		
2.	800-120C	NUT CLIP U-TYPE 5/16-18		
3.	800-370C	SINGLE WIRE HOSE CLAMP #11		
4.	802-004C	HHCS 1/4-20X3/4 GR5		
5.	802-387C	HFS 5/16-18X3/4 GR5		
6.	804-006C	WASHER LOCK SPRING 1/4 PLT		
7.	804-007C	WASHER FLAT 1/4 SAE PLT		
8.	810-223C	OIL FILTER HEAD ZINGA BF-06-0		
9.	810-590C	FILTER,25 MICRON		
10.	810-816C	HYD PUMP,16CC LEFT		
11.	810-817C	HYD PUMP,16CC RIGHT		
12.	811-203C	PL 3/4MORB HOLLOW HEX		
13.	817-698C	TANK,1500 ML HYD EXPANSION		
14.	817-768C	CAP, EXPANSION TANK 1500ML		
15.	838-951C	DECAL,HYDRAULIC OIL LEVEL		
16.	841-142C	HH3/8 6TOC 017 9/16FJIC 90/0		
17.	841-143C	HH3/8 6TOC 009 9/16FJIC 90/0		
18.	841-143C	HH3/8 6TOC 009 9/16FJIC 90/0		
19.	841-145C	HH3/8 6TOC 020 9/16FJIC 90NONE		
20.	841-145C	HH3/8 6TOC 020 9/16FJIC 90NONE		
21.	841-146C	AD 9/19MJIC 3/4MORB FLARE-O		
22.	841-149C	AD 9/16MJIC 9/16 MORB FLARE-O		
23.	841-160C	EL 9/16MJIC 9/16 MORB FLARE-O		

Hydraulic Motor 810-666C

Applies to ACCU-Z ZT60i (S/N 748109-), ACCU-Z ZT72i (S/N 748109-)

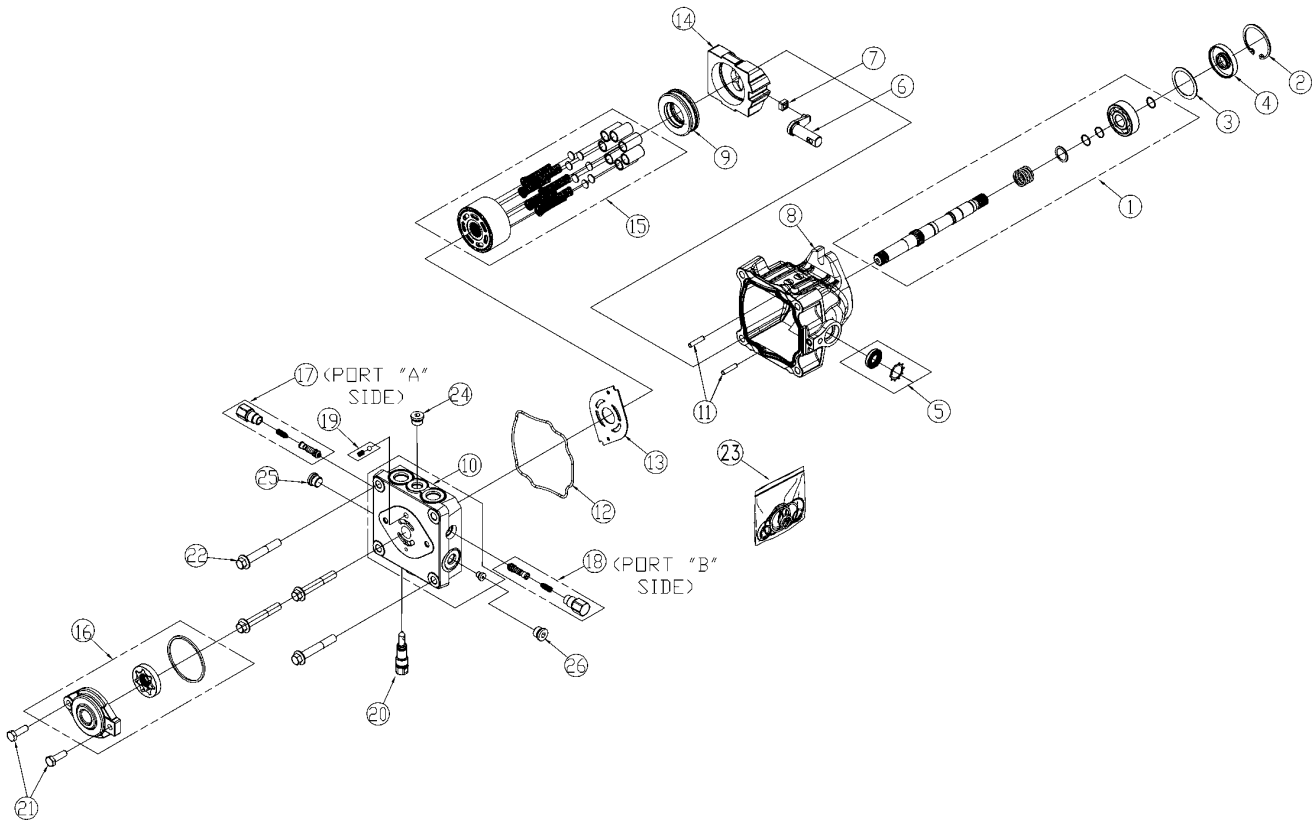


Hydraulic Motor 810-666C**Applies to ACCU-Z ZT60i (S/N 748109-), ACCU-Z ZT72i (S/N 748109-)**

Ref	Part No.	Part Description	Comments	Revision
	dwg30082	Drawing Image Number		
1.	51821	HG CASTLE NUT, 1-20		
2.	N/A	Found in Item #13	1 Ea.	
3.	N/A	Found in Item #13	1 Ea.	
4.	N/A	Found in Item #13	1 Ea.	
5.	N/A	Found in Item #14	2 Ea.	
6.	N/A	Found in Item #14	1 Ea.	
7.	N/A	Found in Item #14	1 Ea.	
8.	51796	HG WOODRUFF KEY, 5/16X1		
9.	N/A	Found in Item #13	1 Ea	
10.	N/A	Found in Item #14	1 Ea.	
11.	N/A	Found in Item #13	2 Ea.	
12.	N/A	Found in Item #13	7 Ea.	
13.	70602-3	HG SEAL KIT		
14.	71494	HG AXIAL NEEDLE BEARING KIT		
15.	805-109C	PIN COTTER 1/8 X 1 1/4 PLT		

Hydraulic Pump 810-816C & 810-817C

Applies to ACCU-Z ZT60i (S/N 748109-), ACCU-Z ZT72i (S/N 748109-)



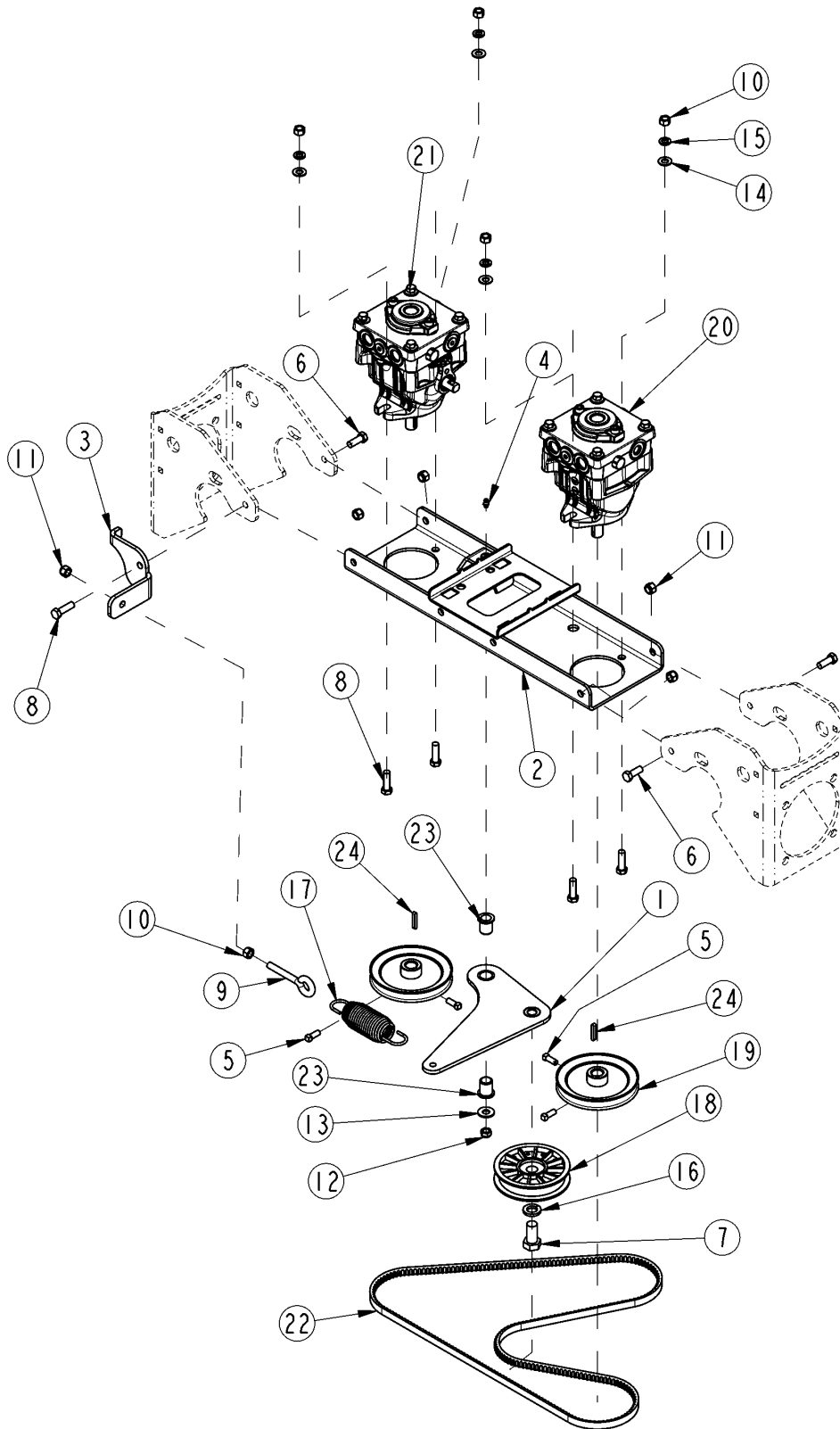
30081

Hydraulic Pump 810-816C & 810-817C**Applies to ACCU-Z ZT60i (S/N 748109-), ACCU-Z ZT72i (S/N 748109-)**

Ref	Part No.	Part Description	Comments	Revision
	dwg30081	Drawing Image Number		
1.	70581	HG PUMP SHAFT KIT		
2.	2000038	HG RETAINING RING		
3.	2000023	HG SPACER		
4.	51092	HG LIP SEAL 17X47X8 PTCN1		
5.	70739	HG TRUNION SEAL KIT		
6.	2000014	HG TRUNION ARM, DOUBLE D		
7.	2000015	HG SLOT GUIDE		
8.	70738	HG HOUSING KIT		
9.	51462	HG THRUST BALL BEARING ASM		
10.	71786	HG END-CAP KIT		
11.	50641	HG STRAIGHT HEADLESS PIN		
12.	52628	HG O-RING		
13.	52371	HG VALVE PLATE		
14.	51436	HG SWASH PLATE		
15.	70735	HG CYLINDER BLOCK KIT (16CC)		
16.	2510071	HG CHARGE PUMP KIT		
17.	70743	HG KIT SHCK VLV 200BAR .031 OR		
18.	70743	HG KIT SHCK VLV 200BAR .031 OR		
19.	70402	HG CHARGE RELIEF KIT		
20.	2513030	HG BYPASS VALVE KIT		
21.	50173	HG SCREW, M8X1.25X25MM LONG		
22.	51457	HG HEX SCREW, FH M10X65MM		
23.	70740	HG OVERHAUL SEAL KIT		
24.	9005110-5600	HG VENT PLUG		
25.	9005110-5600	HG VENT PLUG		
26.	9005110-5600	HG VENT PLUG		

Hydraulic Pump to Frame

Applies to ACCU-Z ZT60i (S/N 748109-), ACCU-Z ZT72i (S/N 748109-)



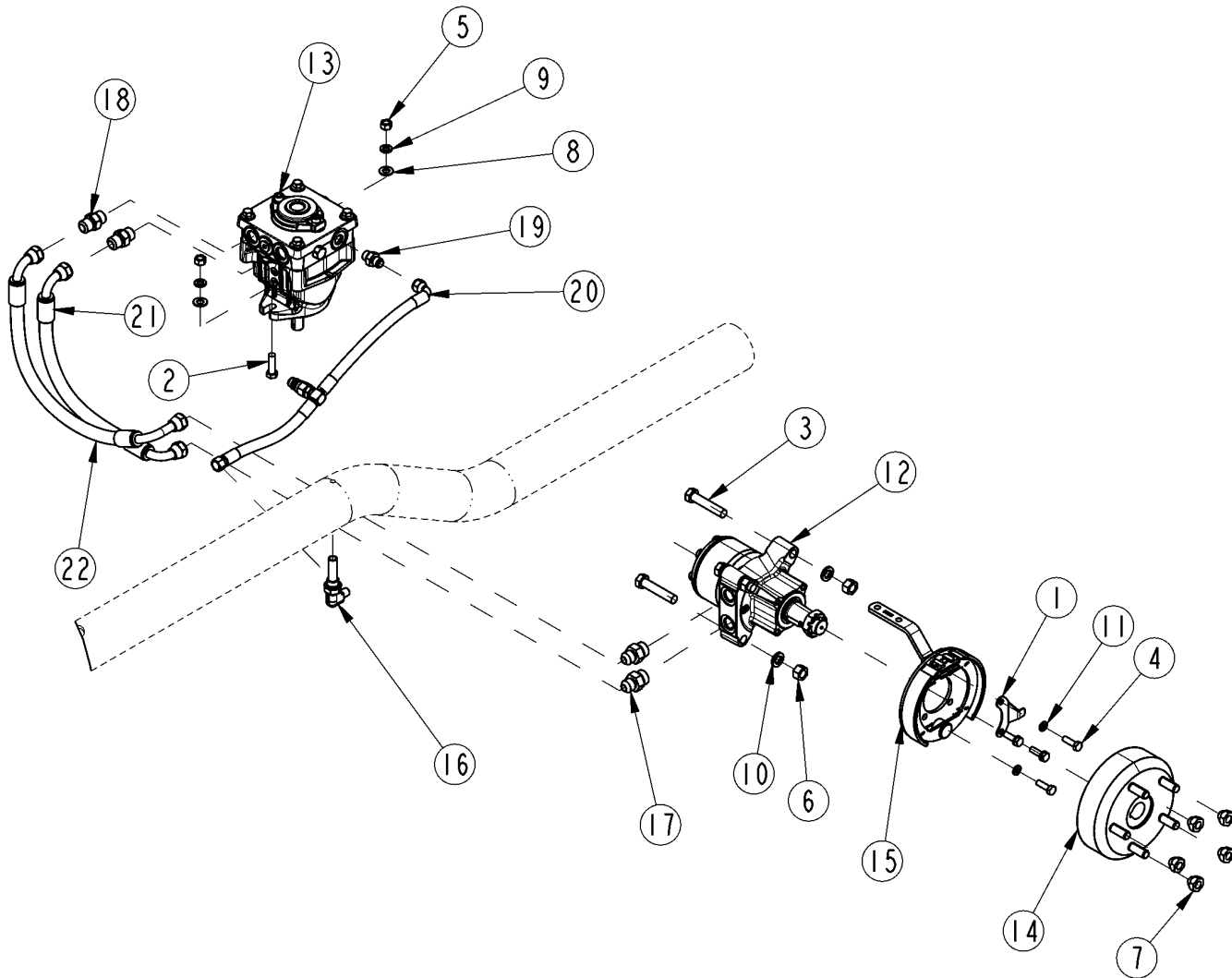
30040

Hydraulic Pump to Frame**Applies to ACCU-Z ZT60i (S/N 748109-), ACCU-Z ZT72i (S/N 748109-)**

Ref	Part No.	Part Description	Comments	Revision
	dwg30040	Drawing Image Number		
1.	357-048H	LEVER AY, BELT TENSION IDLER		
2.	357-049H	MOUNT ASSY, PUMP		
3.	357-338D	BRACKET, IDLER ARM SPRING		
4.	800-001C	GREASE ZERK STRAIGHT 1/4-28		
5.	801-217C	SCRW SET SQ HD 5/16-18X3/4 W/P		
6.	802-017C	HHCS 3/8-16X1 GR5		
7.	802-050C	HHCS 5/8-11X1 1/4 GR5		
8.	802-079C	HHCS 3/8-16X1 1/4 GR5		
9.	802-567C	SP EYE 3/8-16X 3 7/8		
10.	803-014C	NUT HEX 3/8-16 PLT		
11.	803-078C	NUT LOCK 3/8-16 NYLON INSERT		
12.	803-305C	NUT HEX NYLOCK 3/8-24 PLT		
13.	804-011C	WASHER FLAT 3/8 USS PLT		
14.	804-012C	WASHER FLAT 3/8 SAE PLT		
15.	804-013C	WASHER LOCK SPRING 3/8 PLT		
16.	804-022C	WASHER LOCK SPRING 5/8 PLT		
17.	807-242C	SPRING, EXT 1.5ODX5.85LX.148WD		
18.	808-296C	PULLEY, 4.0ODX.631DX.72W IDLER		
19.	808-362C	PULLEY, 5.0 PD X 17MM ID A-SEC		
20.	810-816C	HYD PUMP, 16CC LEFT		
21.	810-817C	HYD PUMP, 16CC RIGHT		
22.	816-779C	V-BELT, A-SEC 67.30 EL		
22.	816-616C	RPBY 816-779C		
23.	817-028C	DOUBLE DISK ARM PIVOT BUSHINGS		
24.	839-112C	KEY 5MMX30MM RADIUS ENDS		

Hydraulic Pump/Motor Left Hand Drive

Applies to ACCU-Z ZT60i (S/N 748109-), ACCU-Z ZT72i (S/N 748109-)



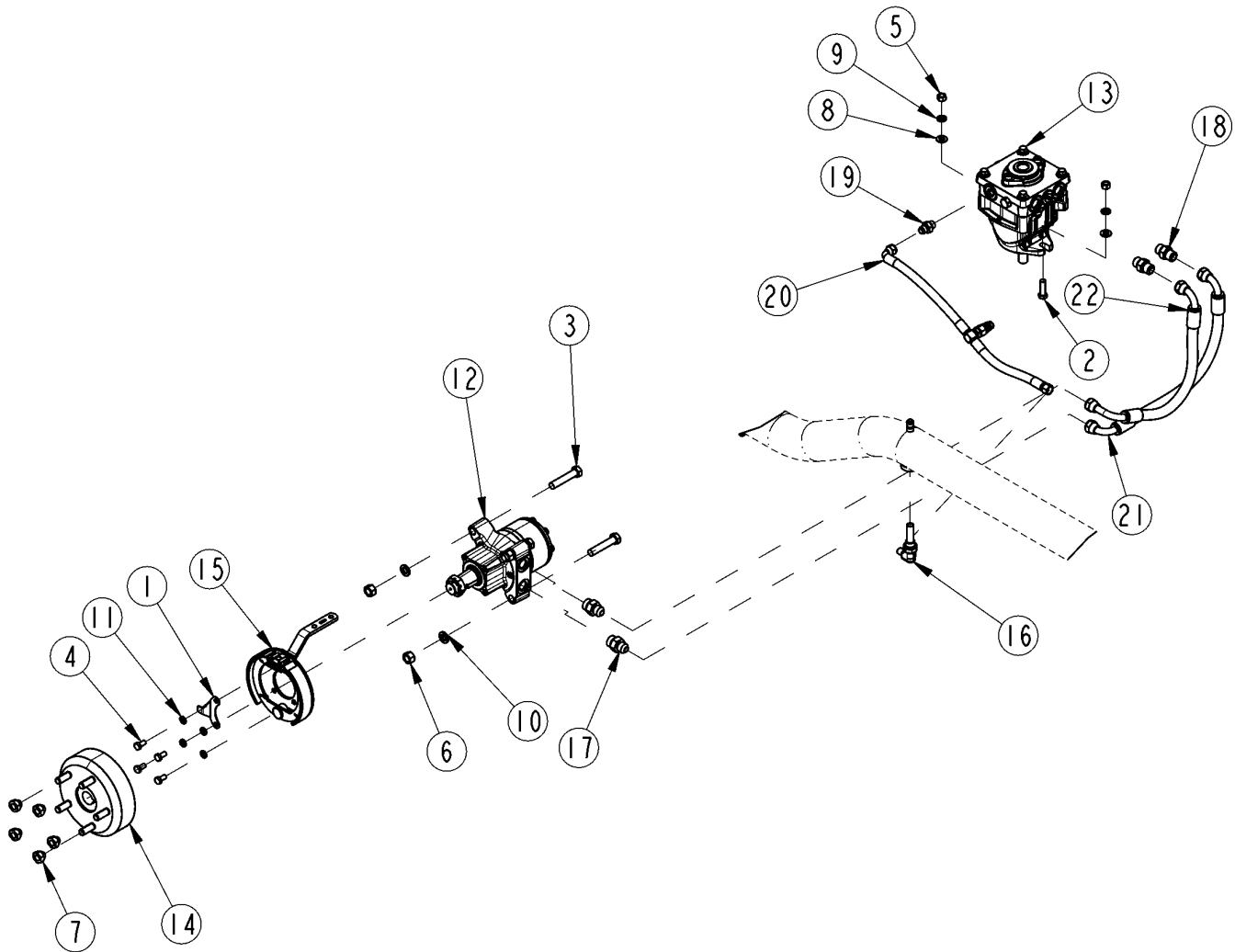
30041

Hydraulic Pump/Motor Left Hand Drive**Applies to ACCU-Z ZT60i (S/N 748109-), ACCU-Z ZT72i (S/N 748109-)**

Ref	Part No.	Part Description	Comments	Revision
	dwg30041	Drawing Image Number		
1.	357-873D	BRACKET,BRAKE SHOE GUIDE		
2.	802-079C	HHCS 3/8-16X1 1/4 GR5		
3.	802-130C	HHCS 1/2-13X2 1/2 GR5		
4.	802-446C	HHCS 5/16-18X1 GR5 NYL		
5.	803-014C	NUT HEX 3/8-16 PLT		
6.	803-020C	NUT HEX 1/2-13 PLT		
7.	803-329C	NUT LUG 1/2-20X60DEG PLT(.81AF		
8.	804-012C	WASHER FLAT 3/8 SAE PLT		
9.	804-013C	WASHER LOCK SPRING 3/8 PLT		
10.	804-015C	WASHER LOCK SPRING 1/2 PLT		
11.	804-201C	WASHER LOCK SPRING 5/16 ZNYCR		
12.	810-666C	HYD MOTOR,15 CU IN		
13.	810-816C	HYD PUMP,16CC LEFT		
14.	815-325C	HUB,1.25 TAPER 5 BOLT		
15.	815-326C	BRAKE ASM,LH WHL MTR		
16.	841-135C	EL 3/4MORBX9/16MJIC STANDPIPE		
17.	841-147C	AD 7/8MORB 3/4MJIC FLARE-O		
18.	841-148C	AD 3/4MJIC 3/4MORB FLARE-O		
19.	841-149C	AD 9/16MJIC 9/16 MORB FLARE-O		
20.	841-450C	HOSE ASM,HYD. OIL CHARGE		
21.	841-471C	HH1/2R17 018 3/4FJIC 90/90		
22.	841-474C	HH1/2R17 018 3/4FJIC 90/90		

Hydraulic Pump/Motor Right Hand Drive

Applies to ACCU-Z ZT60i (S/N 748109-), ACCU-Z ZT72i (S/N 748109-)



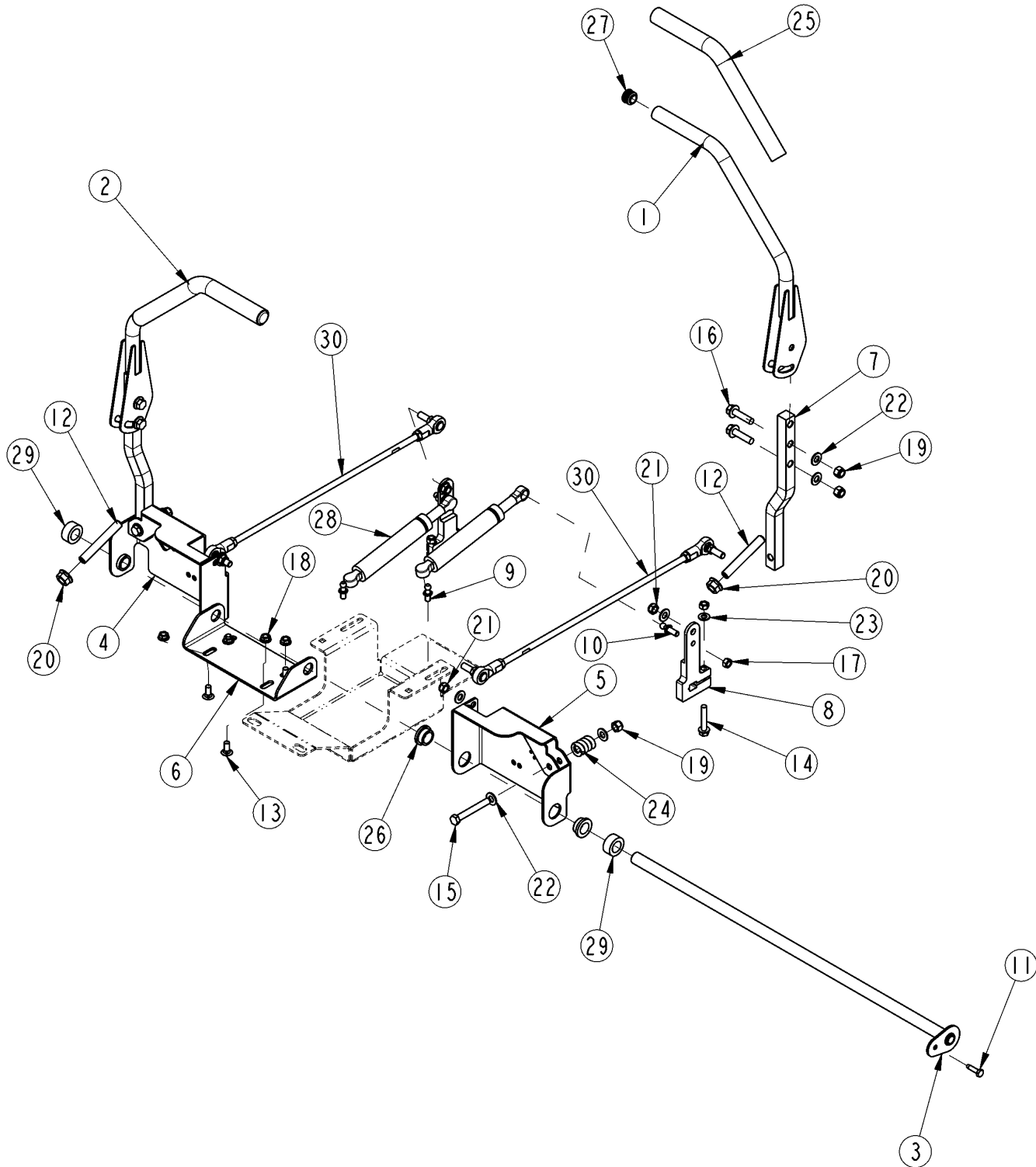
30042

Hydraulic Pump/Motor Right Hand Drive**Applies to ACCU-Z ZT60i (S/N 748109-), ACCU-Z ZT72i (S/N 748109-)**

Ref	Part No.	Part Description	Comments	Revision
	dwg30042	Drawing Image Number		
1.	357-873D	BRACKET,BRAKE SHOE GUIDE		
2.	802-079C	HHCS 3/8-16X1 1/4 GR5		
3.	802-130C	HHCS 1/2-13X2 1/2 GR5		
4.	802-446C	HHCS 5/16-18X1 GR5 NYL		
5.	803-014C	NUT HEX 3/8-16 PLT		
6.	803-020C	NUT HEX 1/2-13 PLT		
7.	803-329C	NUT LUG 1/2-20X60DEG PLT(.81AF		
8.	804-012C	WASHER FLAT 3/8 SAE PLT		
9.	804-013C	WASHER LOCK SPRING 3/8 PLT		
10.	804-015C	WASHER LOCK SPRING 1/2 PLT		
11.	804-201C	WASHER LOCK SPRING 5/16 ZNYCR		
12.	810-666C	HYD MOTOR,15 CU IN		
13.	810-817C	HYD PUMP,16CC RIGHT		
14.	815-325C	HUB,1.25 TAPER 5 BOLT		
15.	815-327C	BRAKE ASM,RH WHL MTR		
16.	841-135C	EL 3/4MORBX9/16MJIC STANDPIPE		
17.	841-147C	AD 7/8MORB 3/4MJIC FLARE-O		
18.	841-148C	AD 3/4MJIC 3/4MORB FLARE-O		
19.	841-149C	AD 9/16MJIC 9/16 MORB FLARE-O		
20.	841-450C	HOSE ASM,HYD. OIL CHARGE		
21.	841-471C	HH1/2R17 018 3/4FJIC 90/90		
22.	841-474C	HH1/2R17 018 3/4FJIC 90/90		

Steering and Speed Controls

Applies to ACCU-Z ZT60i (S/N 748109-), ACCU-Z ZT72i (S/N 748109-)



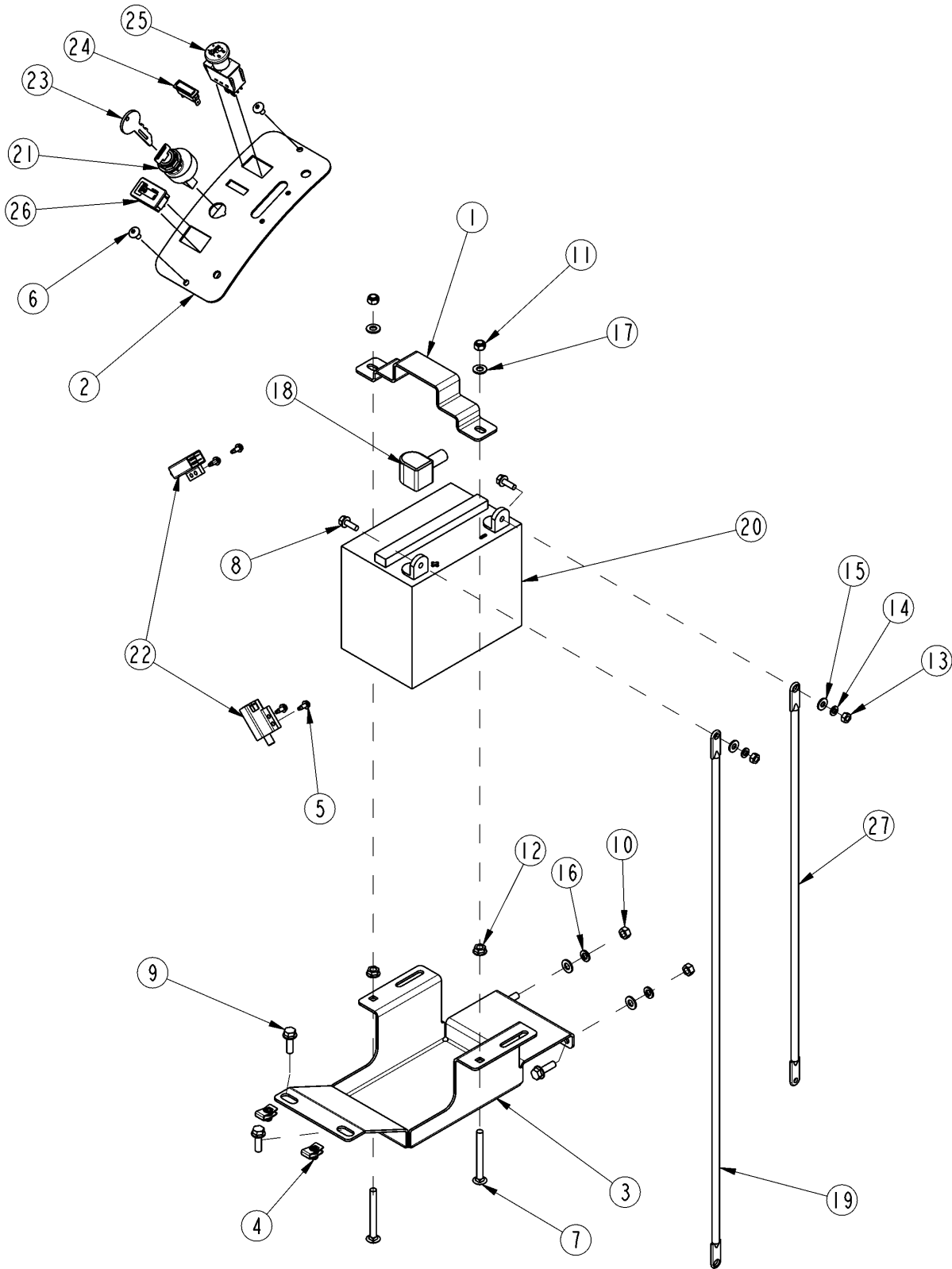
30080

Steering and Speed Controls**Applies to ACCU-Z ZT60i (S/N 748109-), ACCU-Z ZT72i (S/N 748109-)**

Ref	Part No.	Part Description	Comments	Revision
	dwg30080	Drawing Image Number		
1.	357-002H	LEVER AY, DRIVE CONTROL LH		
2.	357-042H	LEVER AY, DRIVE CONTROL RH		
3.	357-056H	PIVOT ROD ASSY		
4.	357-216H	SUPPORT, AY, RH STEER ARM		
5.	357-217H	SUPPORT, AY, LH STEER ARM		
6.	357-342D	BRACKET, CONTROL ROD SUPPORT		
7.	357-403D	BAR,DRIVE CONTROL STUB		
8.	357-513D	BRACKET, PUMP CONTROL		
9.	800-121C	BALL STUD 10MM X 5/16-18 UNC		
10.	800-246C	BALL STUD 10MM X 5/16-18 UNC		
11.	801-151C	SCR HEX SELF TAP 1/4-20X1TYPEF		
12.	801-211C	SCREW SET SCKT HD 1/2-13 X 3.5		
13.	802-092C	RHSNB 5/16-18X3/4 GR5		
14.	802-094C	HFSS 5/16-18X1 3/4 GR5		
15.	802-216C	HHCS 3/8-16X2 3/4 GR5		
16.	802-569C	HFSS 3/8-16X1 1/2 GR5		
17.	803-011C	NUT LOCK 5/16-18 PLT		
18.	803-043C	NUT HEX WHIZ 5/16-18 PLT		
19.	803-078C	NUT LOCK 3/8-16 NYLON INSERT		
20.	803-193C	NUT HEX FLANGE 1/2-13 GR G PLT		
21.	803-305C	NUT HEX NYLOCK 3/8-24 PLT		
22.	804-012C	WASHER FLAT 3/8 SAE PLT		
23.	804-036C	WASHER FLAT 5/16 SAE PLT		
24.	807-280C	SPRING COMP .905OD .24W 1.22L		
25.	816-461C	GRIP, DRIVE CONTROL LEVER		
26.	817-562C	BSHG FLG .75IDX1.00ODX.50L		
27.	817-618C	CAPLUG, CCF-7/8-14-20 BLACK		
28.	890-079C	DAMPER, DRIVE CONTROL		
29.	890-099C	LOCK COLLAR 3/4 ID		
30.	890-972C	ROD AY, PUMP CONTROL		

Battery and Control Panel

Applies to ACCU-Z ZT60i (S/N 748109-), ACCU-Z ZT72i (S/N 748109-)



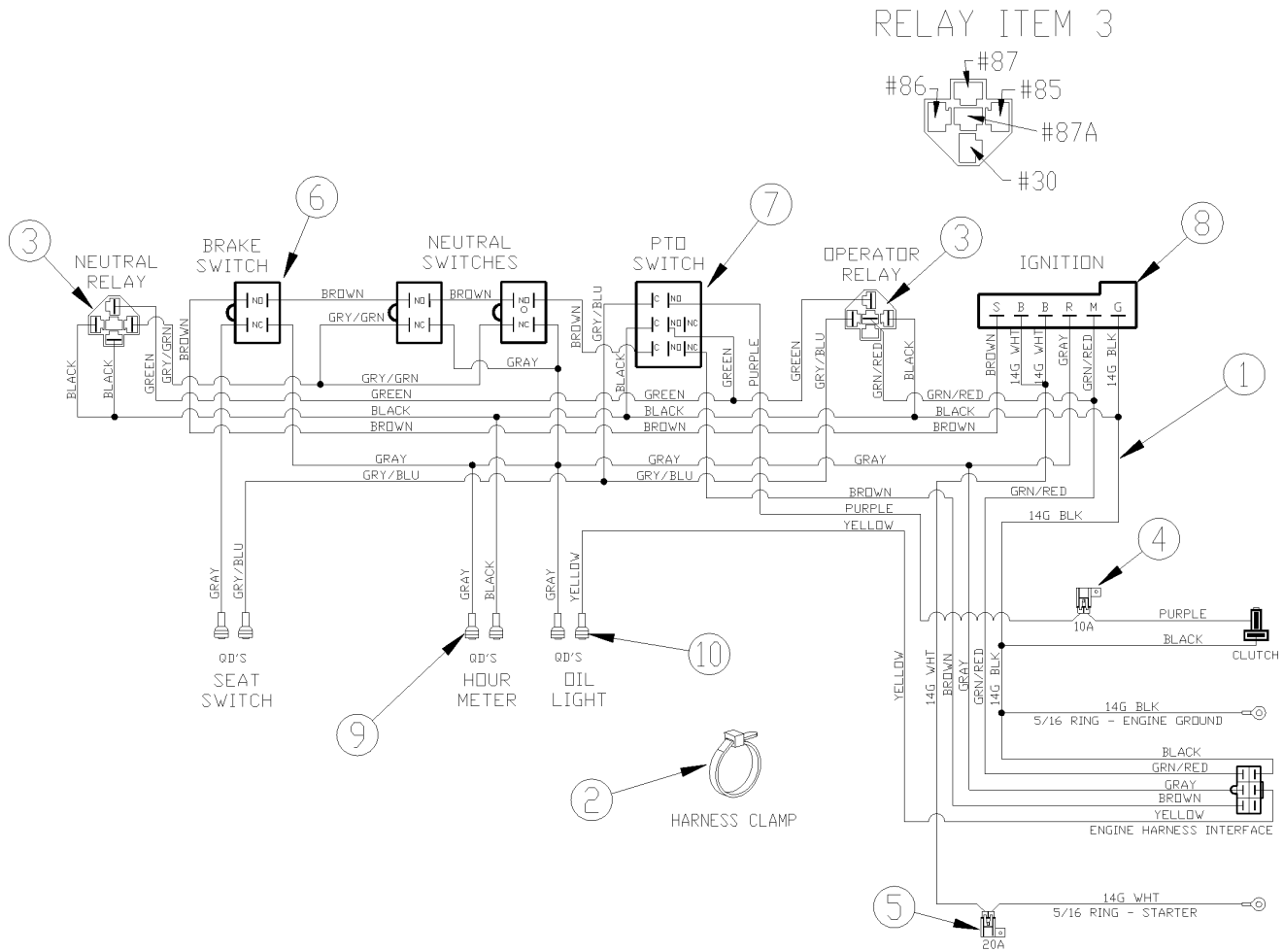
24626

Battery and Control Panel**Applies to ACCU-Z ZT60i (S/N 748109-), ACCU-Z ZT72i (S/N 748109-)**

Ref	Part No.	Part Description	Comments	Revision
	dwg24626	Drawing Image Number		
1.	357-014D	BRACKET, BATTERY HOLD-DOWN		
2.	357-112D	PANEL, CONTROL		
3.	357-218D	TRAY,BATTERY		
4.	800-120C	NUT CLIP U-TYPE 5/16-18		
5.	801-160C	HWHSTS #10-24X1/2 TYPE F SCREW		
6.	801-198C	TPHMS Y 1/4-20X1/2 YELLOW DIE		
7.	802-232C	RHSNB 5/16-18X3 FTHD		
8.	802-257C	HFSS 1/4-20X3/4 GR5		
9.	802-431C	HFSS 5/16-18X1 GR5 PLT		
10.	803-008C	NUT HEX 5/16-18 PLT		
11.	803-084C	NUT HEX NYLOCK 5/16-18 PLT		
12.	803-199C	NUT HEX FLANGE 5/16-18 PLT		
13.	803-326C	NUT HEX 1/4-20 YELLOW DIE		
14.	804-006C	WASHER LOCK SPRING 1/4 PLT		
15.	804-007C	WASHER FLAT 1/4 SAE PLT		
16.	804-009C	WASHER LOCK SPRING 5/16 PLT		
17.	804-036C	WASHER FLAT 5/16 SAE PLT		
18.	816-191C	BOOT, RED U1 BATTERY TERMINAL		
19.	833-019C	BATTERY CABLE 6GA RED 32 1/4		
20.	N/A	BATTERY	UL1-HD (2454 CCA) or UL1-X (300 CCA) B.C.I. Group Size U1/U1R Buy Locally	
21.	833-336C	IGNITION SWITCH W/2 KEYS(6PIN)	Includes 2 Keys #23	
22.	833-341C	SWITCH, 2-POLE 12V 5A PLUNGER	Park Brake Activator Switch	
23.	833-342C	KEY W/SHIELD (RP FOR 833-336C)		
24.	833-350C	LIGHT, 14V INDICATOR		
25.	833-351C	BLADE SWITCH		
26.	833-352C	HOUR METER		
27.	833-457C	CABLE,4GAX24X.25X.38 BLK BATT		
27.	833-382C	RPBY 833-457C		

Electrical Wiring Harness Main S/N 644620+

Applies to ACCU-Z ZT60i (S/N 748109-), ACCU-Z ZT72i (S/N 748109-)



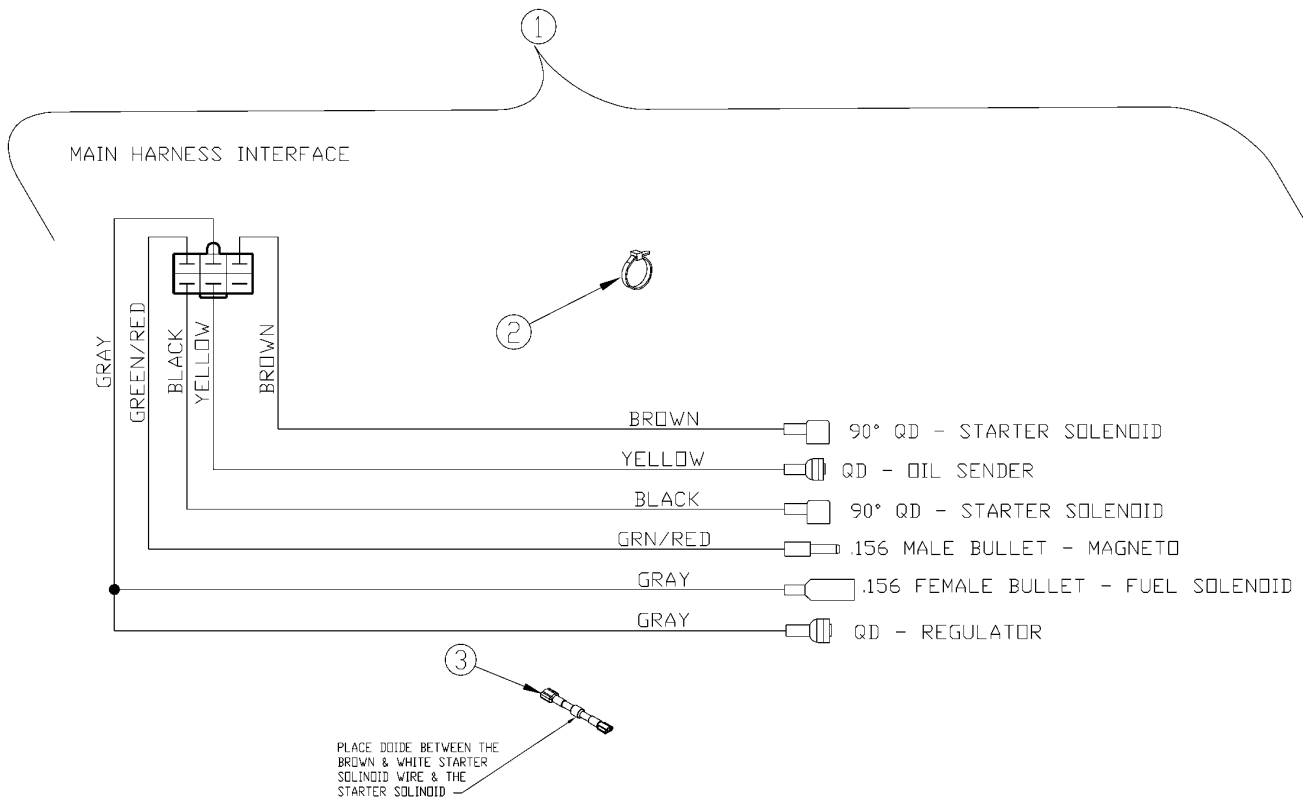
Electrical Wiring Harness Main S/N 644620+

Applies to ACCU-Z ZT60i (S/N 748109-), ACCU-Z ZT72i (S/N 748109-)

Ref	Part No.	Part Description	Comments	Revision
	dwg25840	Drawing Image Number		
1.	833-488C	HARNESS ASSY,ZXT MAIN		
2.	800-303C	CABLE TIE 2 DIA MIN - BLK		
3.	0-332-209-150	RELAY BOSCH		
4.	839-287C	10 AMP FUSE (5 PACK)		
5.	839-288C	20 AMP FUSE (5 PACK)		
6.	833-341C	SWITCH, 2-POLE 12V 5A PLUNGER		
7.	833-351C	BLADE SWITCH		
8.	833-336C	IGNITION SWITCH W/2 KEYS(6PIN)		
9.	833-352C	HOUR METER		
10.	833-350C	LIGHT, 14V INDICATOR		

Electrical Wiring Harness Kawasaki S/N 644620+

Applies to ACCU-Z ZT60i (S/N 748109-), ACCU-Z ZT72i (S/N 748109-)



25854

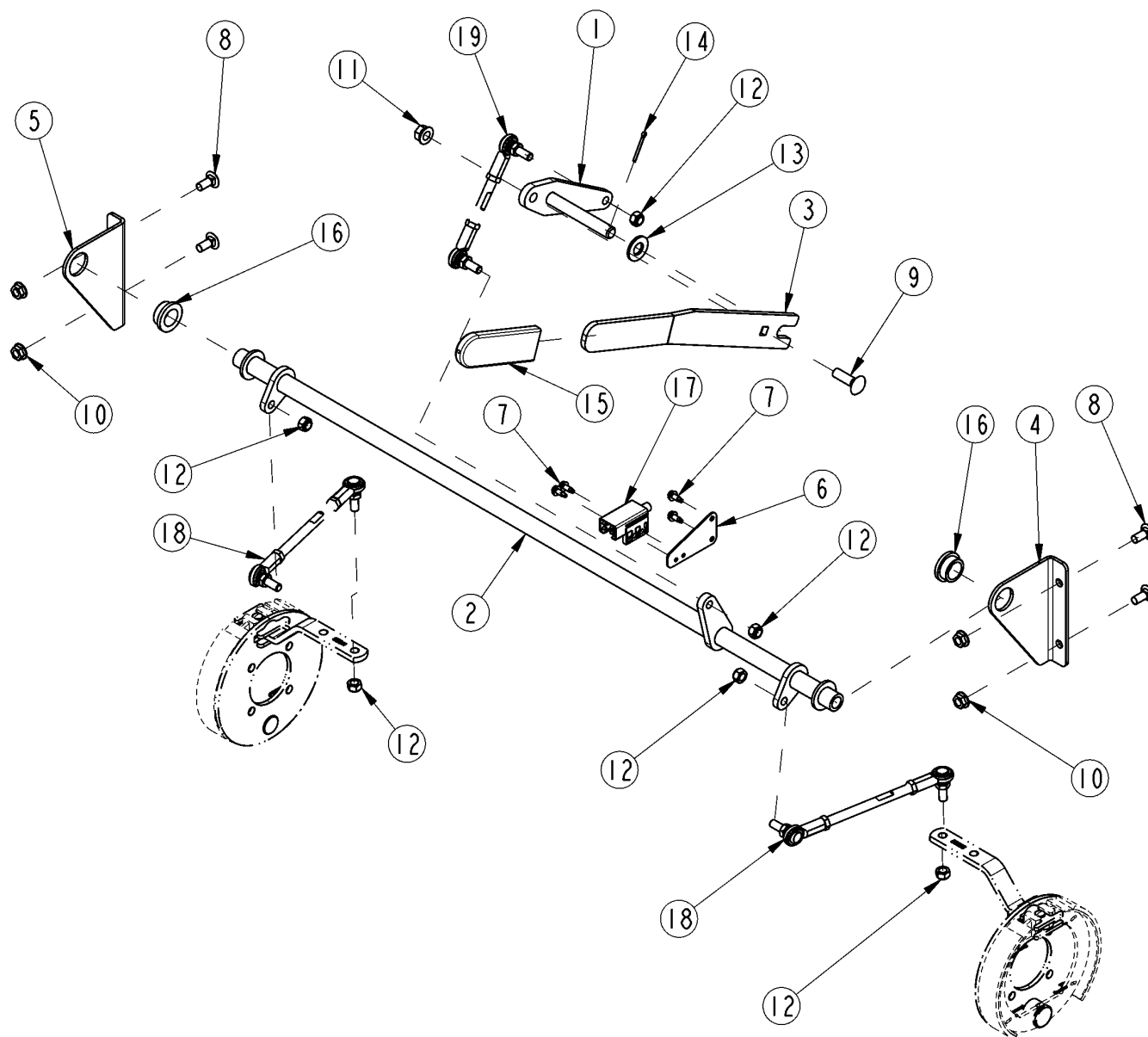
Electrical Wiring Harness Kawasaki S/N 644620+

Applies to ACCU-Z ZT60i (S/N 748109-), ACCU-Z ZT72i (S/N 748109-)

Ref	Part No.	Part Description	Comments	Revision
	dwg25854	Drawing Image Number		
1.	833-486C	HARNESS ASSY KAW ZXT ENGINE		
2.	800-303C	CABLE TIE 2 DIA MIN - BLK		
3.	833-465C	DIODE ASSY, STARTER		

Park Brake

Applies to ACCU-Z ZT60i (S/N 748109-), ACCU-Z ZT72i (S/N 748109-)



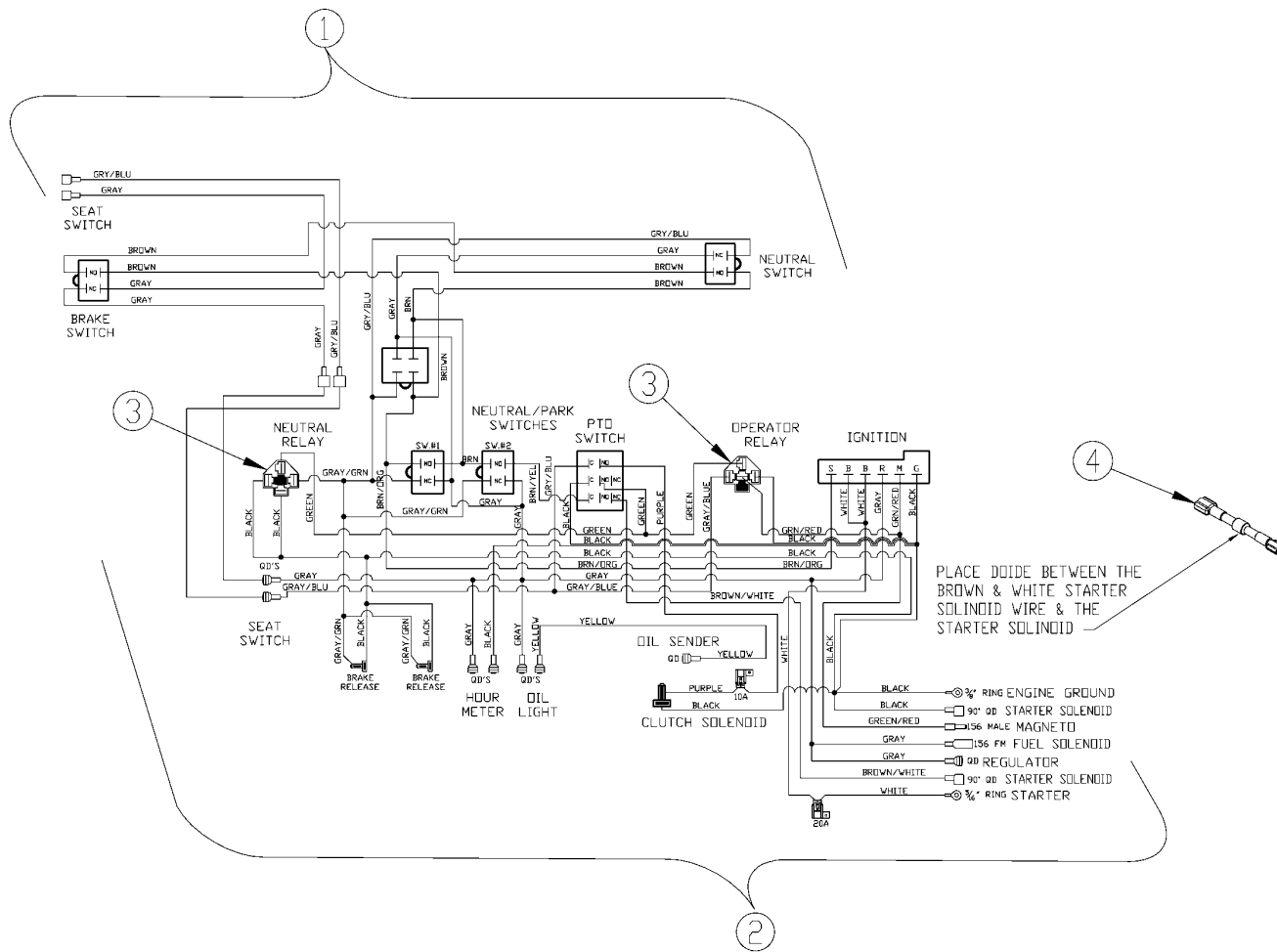
30026

Park Brake**Applies to ACCU-Z ZT60i (S/N 748109-), ACCU-Z ZT72i (S/N 748109-)**

Ref	Part No.	Part Description	Comments	Revision
	dwg30026	Drawing Image Number		
1.	357-376H	LEVER ASM,PARK BRAKE HANDLE		
2.	357-377H	BELLCRANK ASM,PARK BRAKE		
3.	357-728D	PARK BRAKE HANDLE		
4.	357-862D	BRACKET,LH BRAKE SHAFT SUPPORT		
5.	357-874D	BRACKET,RH BRAKE SHAFT SUPPORT		
6.	357-886D	BRACKET,PARK BRAKE SWITCH		
7.	801-160C	HWHSTS #10-24X1/2 TYPE F SCREW		
8.	802-092C	RHSNB 5/16-18X3/4 GR5		
9.	802-155C	RHSNB 3/8-16X1 1/4 GR5		
10.	803-177C	NUT HEX FLG TP LK 5/16-18ZNYCR		
11.	803-209C	NUT FLANGE LOCK 3/8-16 PLT		
12.	803-270C	NUT HEX NYLOCK 5/16-24		
13.	804-016C	WASHER FLAT 1/2 SAE PLT		
14.	805-064C	PIN COTTER 7/64 X 1 LONG		
15.	817-246C	GRIP HANDLE .84 ID X 4 LG		
16.	817-562C	BSHG FLG .75IDX1.00ODX.50L		
17.	833-341C	SWITCH, 2-POLE 12V 5A PLUNGER		
18.	891-157C	ROD ASM,BRAKE ACTUATING		
19.	891-158C	ROD ASM,PARK BRAKE		

Wiring Harness Complete Kawasaki S/N 644619-

Applies to ACCU-Z ZT60i (S/N 748109-), ACCU-Z ZT72i (S/N 748109-)



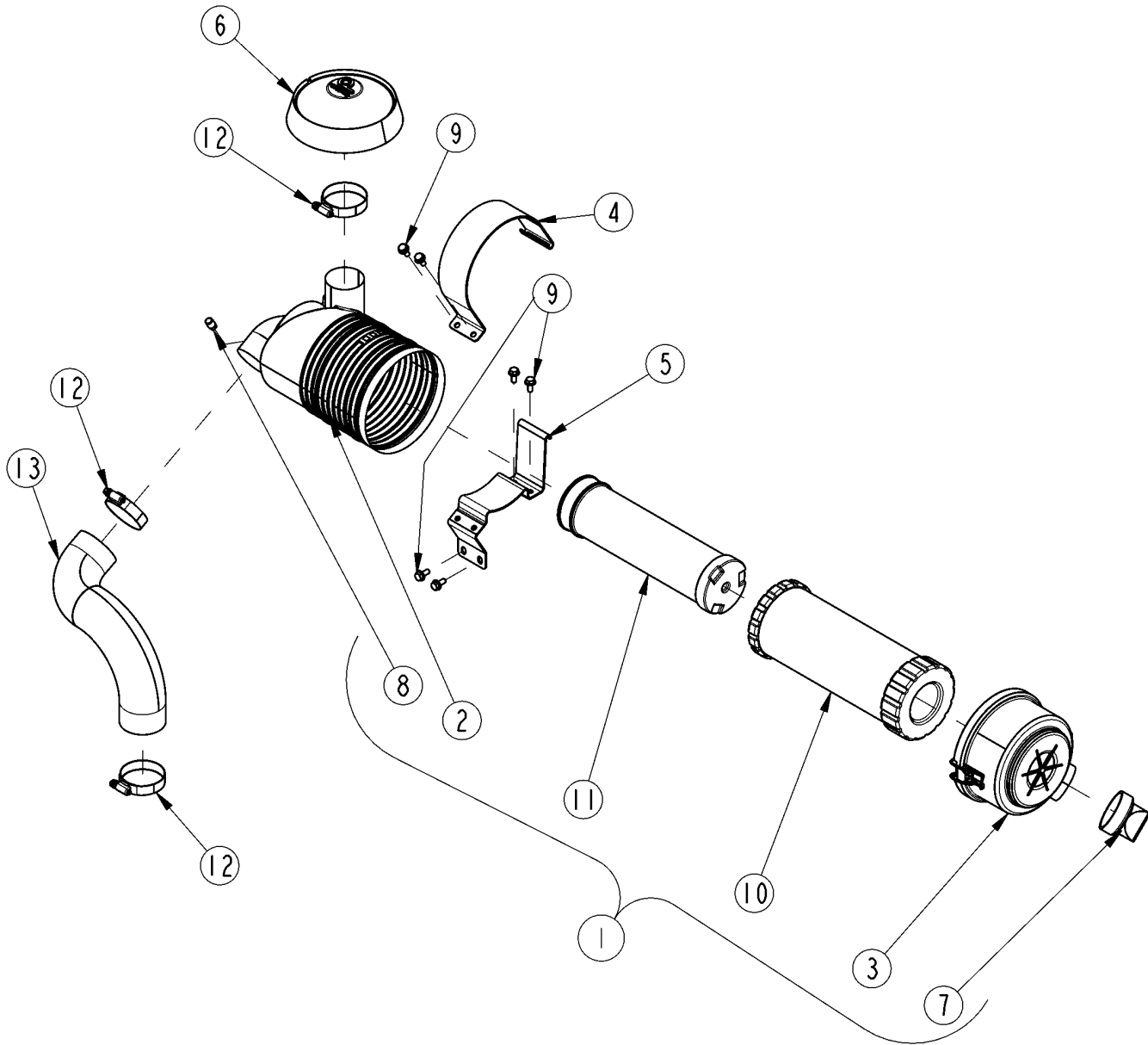
Wiring Harness Complete Kawasaki S/N 644619-

Applies to ACCU-Z ZT60i (S/N 748109-), ACCU-Z ZT72i (S/N 748109-)

Ref	Part No.	Part Description	Comments	Revision
	dwg30079	Drawing Image Number		
1.	833-514C	HARNESS,HAND BRAKE ADAPTER		
2.	833-420C	HARNESS ASSY,ACCU-Z KAW		
3.	0-332-209-150	RELAY BOSCH		
4.	833-465C	DIODE ASSY, STARTER		

Air Cleaner Kawasaki 23.5 HP

Applies to ACCU-Z ZT60i (S/N 748109-)



27850

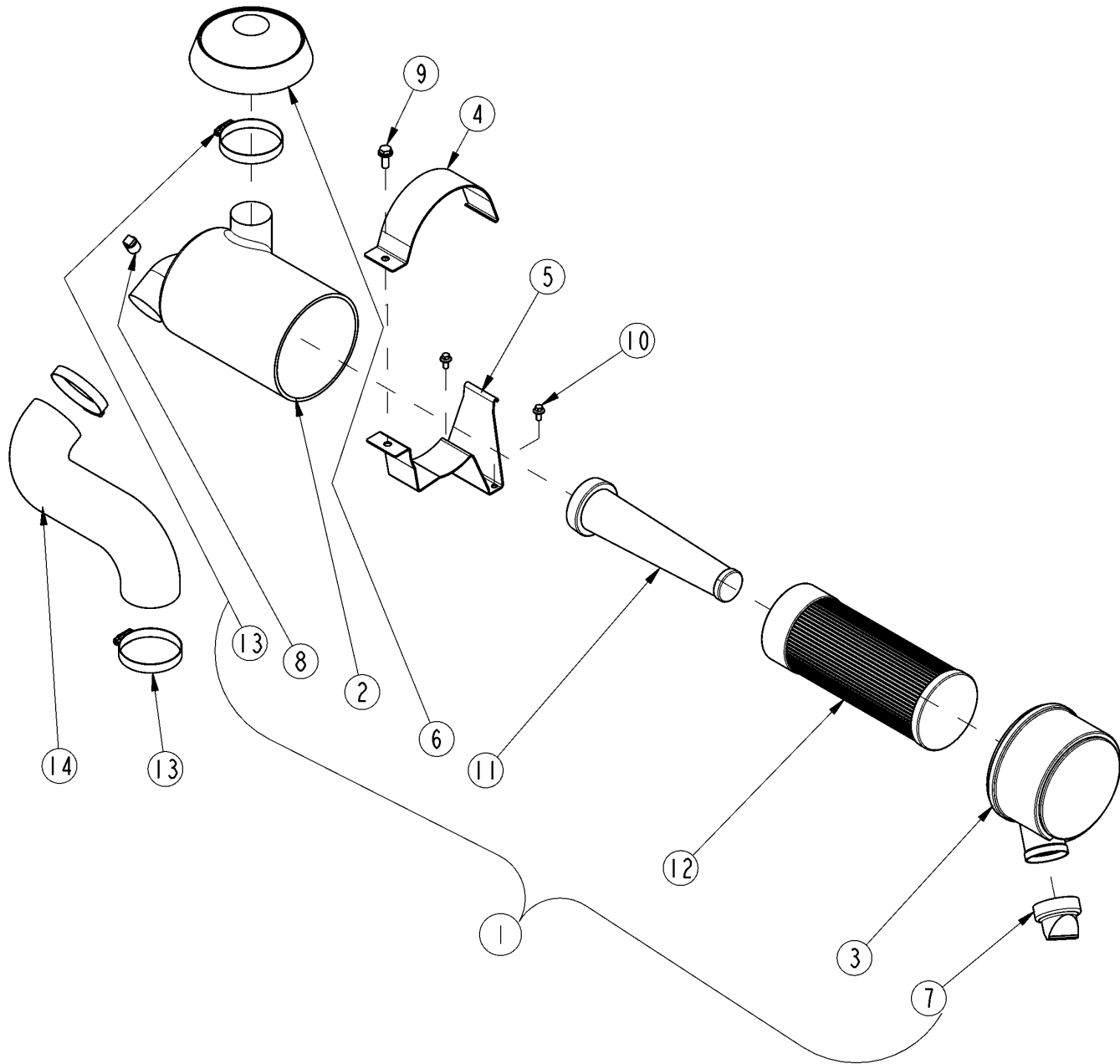
Air Cleaner Kawasaki 23.5 HP

Applies to ACCU-Z ZT60i (S/N 748109-)

Ref	Part No.	Part Description	Comments	Revision
	dwg27850	Drawing Image Number		
1.	11010-7028	KAW FILTER-ASSY-AIR		
2.	N/A	KAW FILTER CANNISTER		
3.	11011-7056	KAW CASE-AIR FILTER		
4.	11055-7011-9H	KAW BRACKET		
5.	11055-7012-9H	KAW BRACKET		
6.	11065-7025	KAW CAP		
7.	11065-7031	KAW CAP		
8.	11065-7032	KAW CAP		
9.	130AA0616	KAW BOLT-FLANGED,6X16		
10.	831-075C	FILTER ELEMENT, KAW OUTER		
11.	831-076C	FILTER ELEMENT, KAW INNER		
12.	92171-7007	KAW CLAMP		
13.	92192-7147	KAW TUBE		

Air Cleaner Kawasaki 27 HP

Applies to ACCU-Z ZT60i (S/N 748109-), ACCU-Z ZT72i (S/N 748109-)



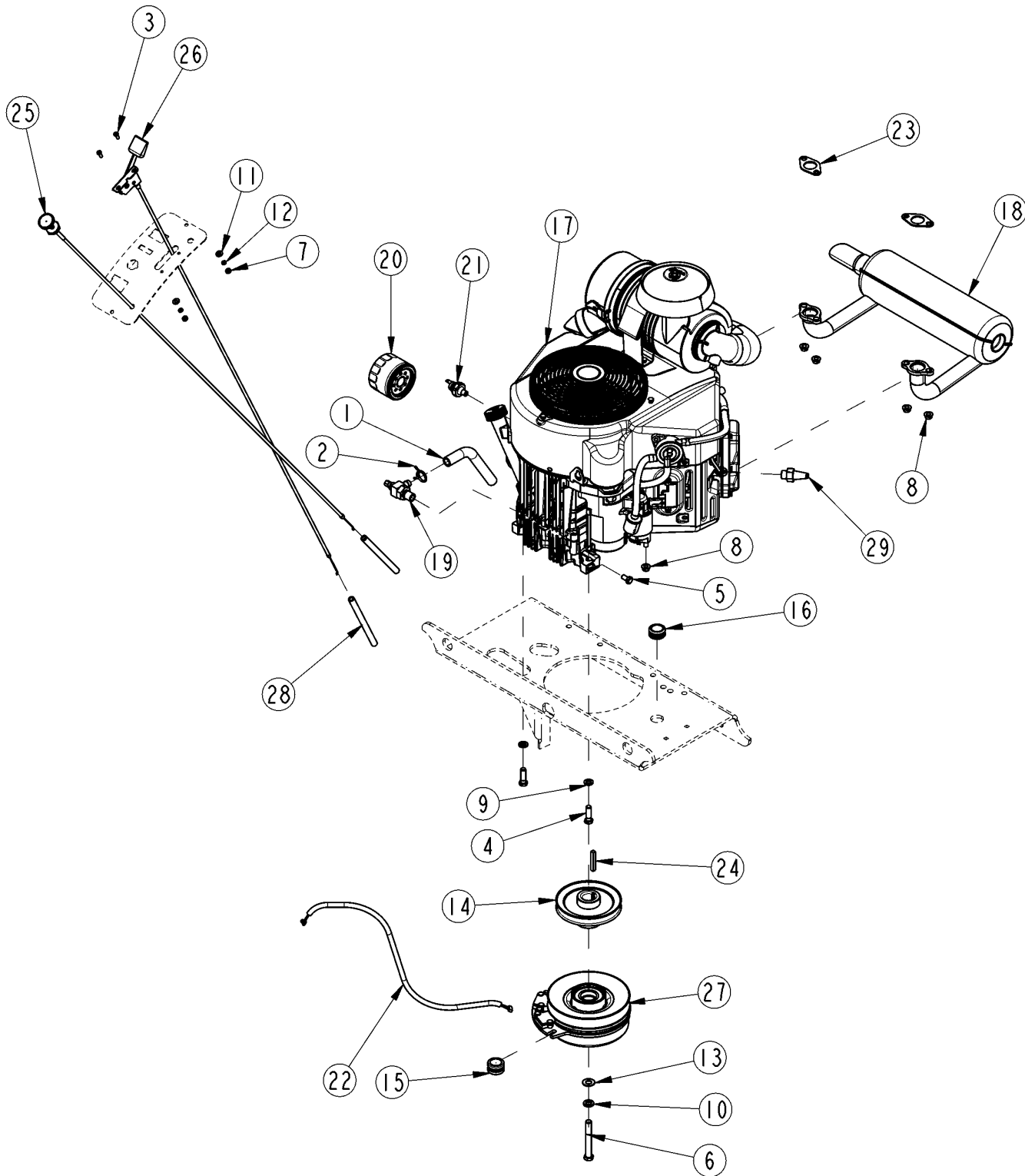
25858

Air Cleaner Kawasaki 27 HP**Applies to ACCU-Z ZT60i (S/N 748109-), ACCU-Z ZT72i (S/N 748109-)**

Ref	Part No.	Part Description	Comments	Revision
	dwg25858	Drawing Image Number		
1.	11010-7020	KAW FILTER-ASSY, AIR	For Engine Model Code FX850V-AS09	
1.	11010-7028	KAW FILTER-ASSY, AIR	For Engine Model Code FX850V-BS09	
2.	11011-7047	KAW CASE-AIR FILTER		
3.	11011-7050	KAW CASE-AIR FILTER		
4.	11054-7013-9X	KAW BRACKET		
5.	11054-7016-9X	KAW BRACKET		
6.	11065-7017	KAW CAP	For Engine Model Code FX850V-AS09	
6.	11065-7025	KAWASAKI CAP AIR-CLEANER	For Engine Model Code FX850V-BS09	
7.	11065-7008	KAWASAKI BURP CAP		
8.	11065-7009	KAWASAKI PLUG PLASTIC		
9.	802-778C	HFS M8X1.25X20 GR.8.8 PLT		
10.	802-846C	HFS M6X1X12 PLT		
11.	839-973C	KAW SAFETY FILTER 11013-7039		
12.	839-974C	KAW AIR FILTER 11013-7038		
13.	92171-7023	KAW CLAMP, AIR FILTER	For Engine Model Code FX850V-AS09	
13.	92171-7007	KAW CLAMP	For Engine Model Code FX850V-BS09	
14.	92192-7087	KAW TUBE	For Engine Model Code FX850V-AS09	
14.	92192-7189	KAW TUBE	For Engine Model Code FX850V-BS09	

Engine Assembly 23.5 HP Kawasaki

Applies to ACCU-Z ZT60i (S/N 748109-)



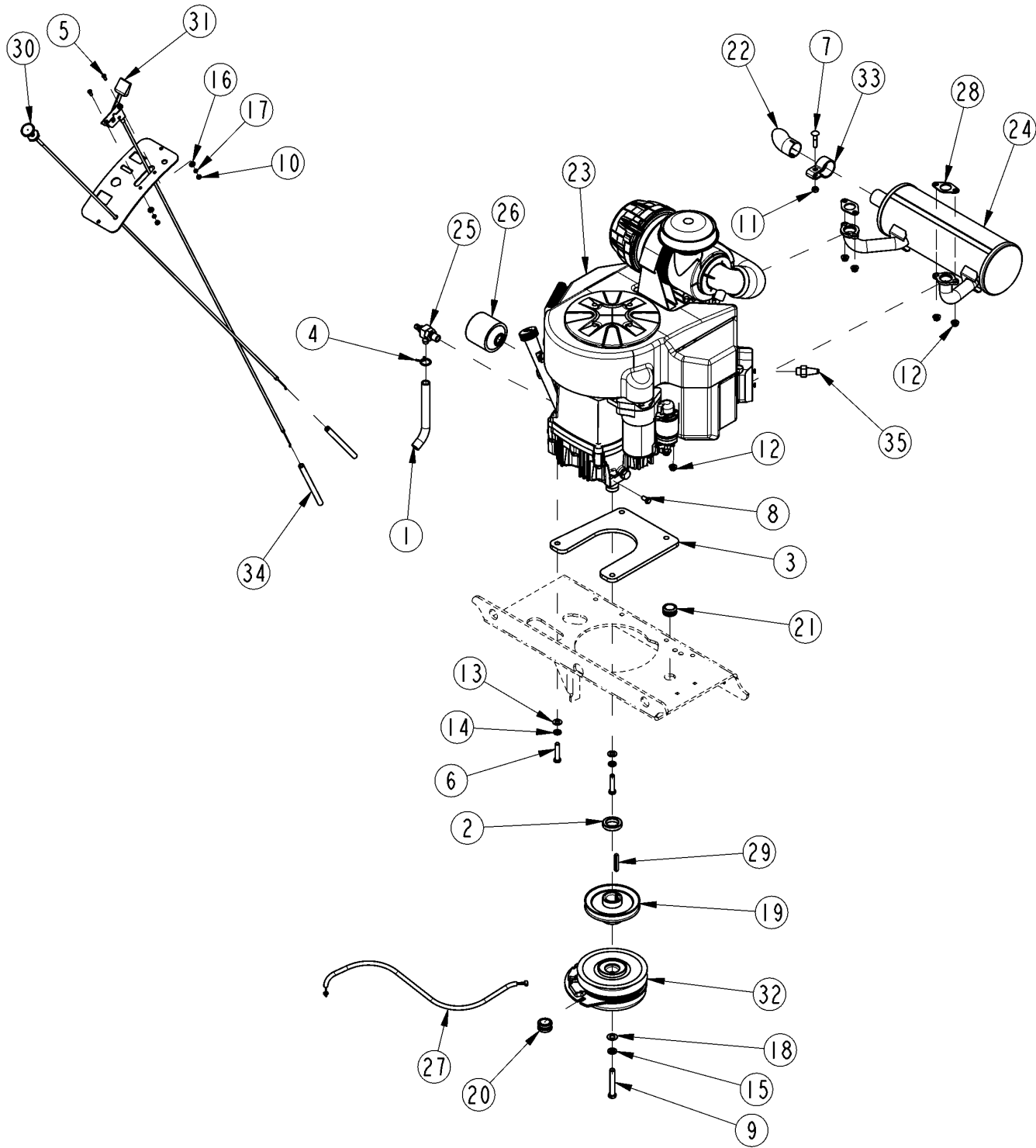
30046

Engine Assembly 23.5 HP Kawasaki**Applies to ACCU-Z ZT60i (S/N 748109-)**

Ref	Part No.	Part Description	Comments	Revision
	dwg30046	Drawing Image Number		
1.	357-486D	HOSE,ENGINE OIL DRAIN		
2.	800-321C	HOSE CLAMP NO.12 3/4 ID		
3.	801-205C	TPHMS Y #10-24 X 1/2 ZNYCR		
4.	802-079C	HHCS 3/8-16X1 1/4 GR5		
5.	802-459C	HHCS M8X1.25X16 GR8.8		
6.	802-907C	HHCS 7/16-20X3 1/4 GR8		
7.	803-001C	NUT HEX 10-24 PLT		
8.	803-220C	NUT HEX FLANGE M8X1.25 PLT		
9.	804-013C	WASHER LOCK SPRING 3/8 PLT		
10.	804-014C	WASHER LOCK 7/16 PLT		
11.	804-046C	WASHER FLAT #10 SAE PLT		
12.	804-054C	WASHER LOCK #10		
13.	804-138C	WASHER FLAT 7/16 SAE PLAIN		
14.	808-419C	PULLEY,5.0 PD X 1.0 ID A-SEC		
15.	816-527C	GROMMET,.875X1.25X.25T		
16.	816-527C	GROMMET,.875X1.25X.25T		
17.	826-613C	KAW, FX730V, 23.5HP		
18.	826-649C	MUFFLER, 26HP KAW		
19.	829-128C	VALVE,20MM O-RING OIL DRAIN		
20.	831-073C	FILTER, KAW OI		
21.	833-419C	SWITCH,N.C. OIL PRESSURE		
22.	833-430C	HARNESS ASSY,18 INCH CLUTCH		
23.	839-049C	KAW (23) GASKET, MUFFLER		
24.	839-110C	KEY 1/4 SQ X 1.75 LONG		
25.	890-106C	CABLE, 53X.062X1.87 CHOKE		
26.	890-115C	CABLE, 50X.062X2.12 THROTTLE		
27.	891-193C	CLUTCH, 1.0 ID 12V BLADE BRAKE		
28.	990-249R	HEAT SHIELD, 1/4" I.D.	Sold per Foot	
29.	N/A	NGK SPARK PLUG	P.N. BPR4ES Purchase Locally	

Engine Assembly 27 HP Kawasaki

Applies to ACCU-Z ZT60i (S/N 748109-), ACCU-Z ZT72i (S/N 748109-)



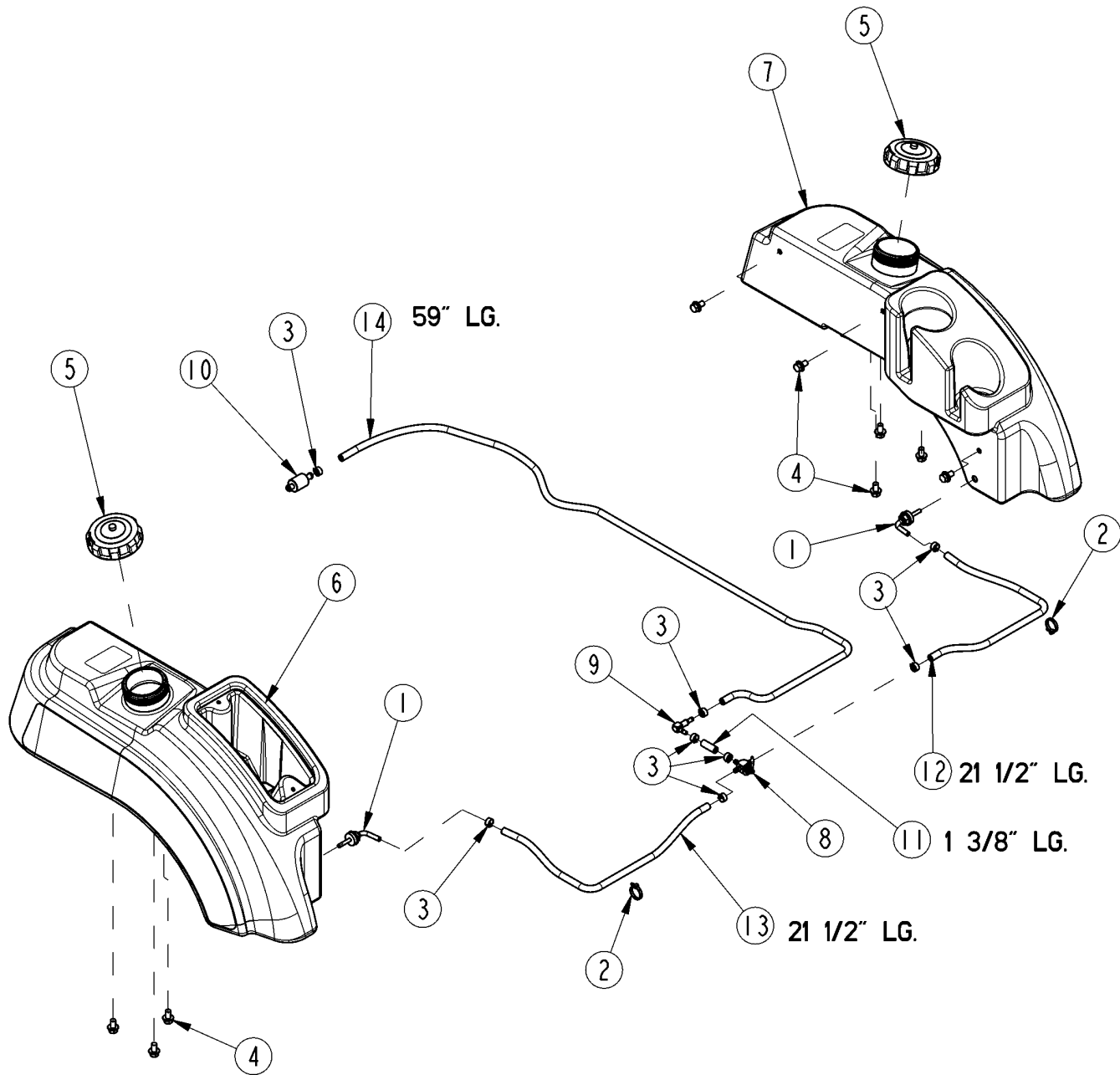
30044

Engine Assembly 27 HP Kawasaki**Applies to ACCU-Z ZT60i (S/N 748109-), ACCU-Z ZT72i (S/N 748109-)**

Ref	Part No.	Part Description	Comments	Revision
	dwg30044	Drawing Image Number		
1.	357-486D	HOSE,ENGINE OIL DRAIN		
2.	357-586D	SPACER, PULLEY, 31 HP KAW		
3.	357-587D	SPACER, ENGINE, 31 HP KAW		
4.	800-321C	HOSE CLAMP NO.12 3/4 ID		
5.	801-205C	TPHMS Y #10-24 X 1/2 ZNYCR		
6.	802-023C	HHCS 3/8-16X1 3/4 GR5		
7.	802-270C	RHSNB 5/16-18X1 1/2 GR5		
8.	802-459C	HHCS M8X1.25X16 GR8.8		
9.	802-694C	HHCS 7/16-20 2 3/4 GR8		
10.	803-001C	NUT HEX 10-24 PLT		
11.	803-008C	NUT HEX 5/16-18 PLT		
12.	803-177C	NUT HEX FLG TP LK 5/16-18ZNYCR		
13.	804-012C	WASHER FLAT 3/8 SAE PLT		
14.	804-013C	WASHER LOCK SPRING 3/8 PLT		
15.	804-014C	WASHER LOCK 7/16 PLT		
16.	804-046C	WASHER FLAT #10 SAE PLT		
17.	804-054C	WASHER LOCK #10		
18.	804-138C	WASHER FLAT 7/16 SAE PLAIN		
19.	808-363C	PULLEY,5.0 PD X 1.125 ID A-SEC		
20.	816-527C	GROMMET,.875X1.25X.25T		
21.	816-527C	GROMMET,.875X1.25X.25T		
22.	826-535C	EXTNSION, 1 3/8X60DEG TAILPIPE		
23.	826-616C	KAW, FX850V, 27HP		
24.	826-619C	MUFFLER, 27/29/31 HP KAW		
25.	829-128C	VALVE,20MM O-RING OIL DRAIN		
26.	831-034C	ENGINE OIL FILTER Z		
27.	833-430C	HARNESS ASSY,18 INCH CLUTCH		
28.	839-049C	KAW (23) GASKET, MUFFLER		
29.	839-110C	KEY 1/4 SQ X 1.75 LONG		
30.	890-106C	CABLE, 53X.062X1.87 CHOKE		
31.	890-115C	CABLE, 50X.062X2.12 THROTTLE		
32.	890-914C	CLUTCH, 12V BLADE BRAKE		
33.	890-947C	CLAMP,1 1/2 MUFFLER		
34.	990-249R	HEAT SHIELD, 1/4" I.D.	Sold per Foot	
35.	N/A	NGK SPARK PLUG	P. N. BPR4ES Purchase Locally	

Fuel System S/N 672163-

Applies to ACCU-Z ZT60i (S/N 748109-), ACCU-Z ZT72i (S/N 748109-)



30070

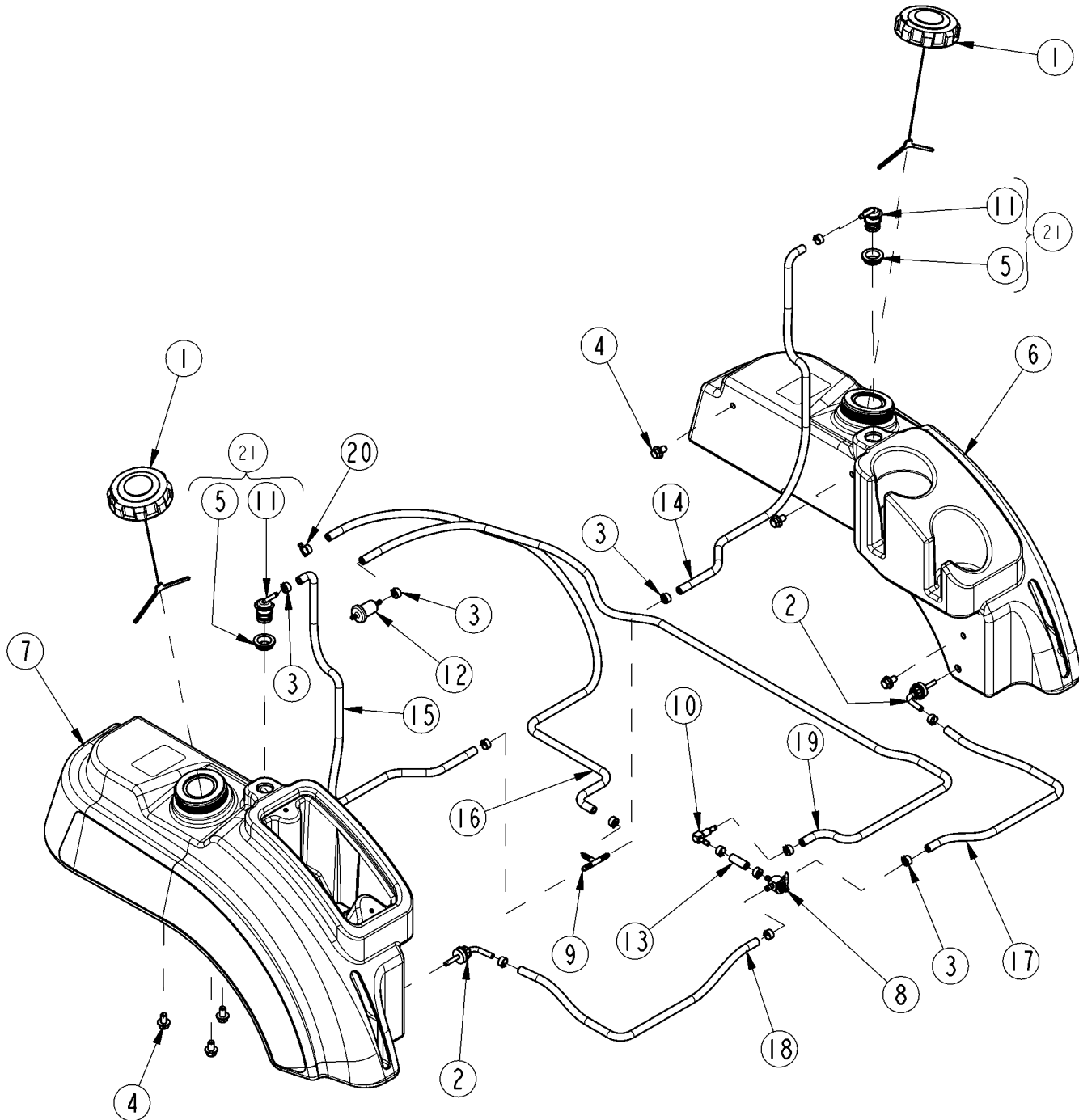
Fuel System S/N 672163-

Applies to ACCU-Z ZT60i (S/N 748109-), ACCU-Z ZT72i (S/N 748109-)

Ref	Part No.	Part Description	Comments	Revision
	dwg30070	Drawing Image Number		
1.	356-137S	GAS TANK FITTING W/NUT&WASHER		
2.	800-303C	CABLE TIE 2 DIA MIN - BLK		
3.	800-356C	CLAMP PINCH FOR .50 OD HOSE		
4.	802-732C	HFSS 3/8-16X5/8 GR5 ZNYCR		
5.	817-630C	CAP, LARGE DIAMETER FUEL		
6.	817-760C	RH FUEL TANK, RED GRAPHICS		
7.	817-761C	LH FUEL TANK, RED GRAPHICS		
8.	829-120C	VALVE, FUEL SELECTOR		
9.	830-393C	EL 1/4HB X 1/4HB STEEL		
10.	831-031C	FUEL FILTER Z		
11.	990-225R	HOSE RUBBER.25ID/.5 OD SAE30R7	Sold per Foot	
12.	990-225R	HOSE RUBBER.25ID/.5 OD SAE30R7	Sold per Foot	
13.	990-225R	HOSE RUBBER.25ID/.5 OD SAE30R7	Sold per Foot	
14.	990-225R	HOSE RUBBER.25ID/.5 OD SAE30R7	Sold per Foot	

Fuel System S/N 672164+

Applies to ACCU-Z ZT60i (S/N 748109-), ACCU-Z ZT72i (S/N 748109-)



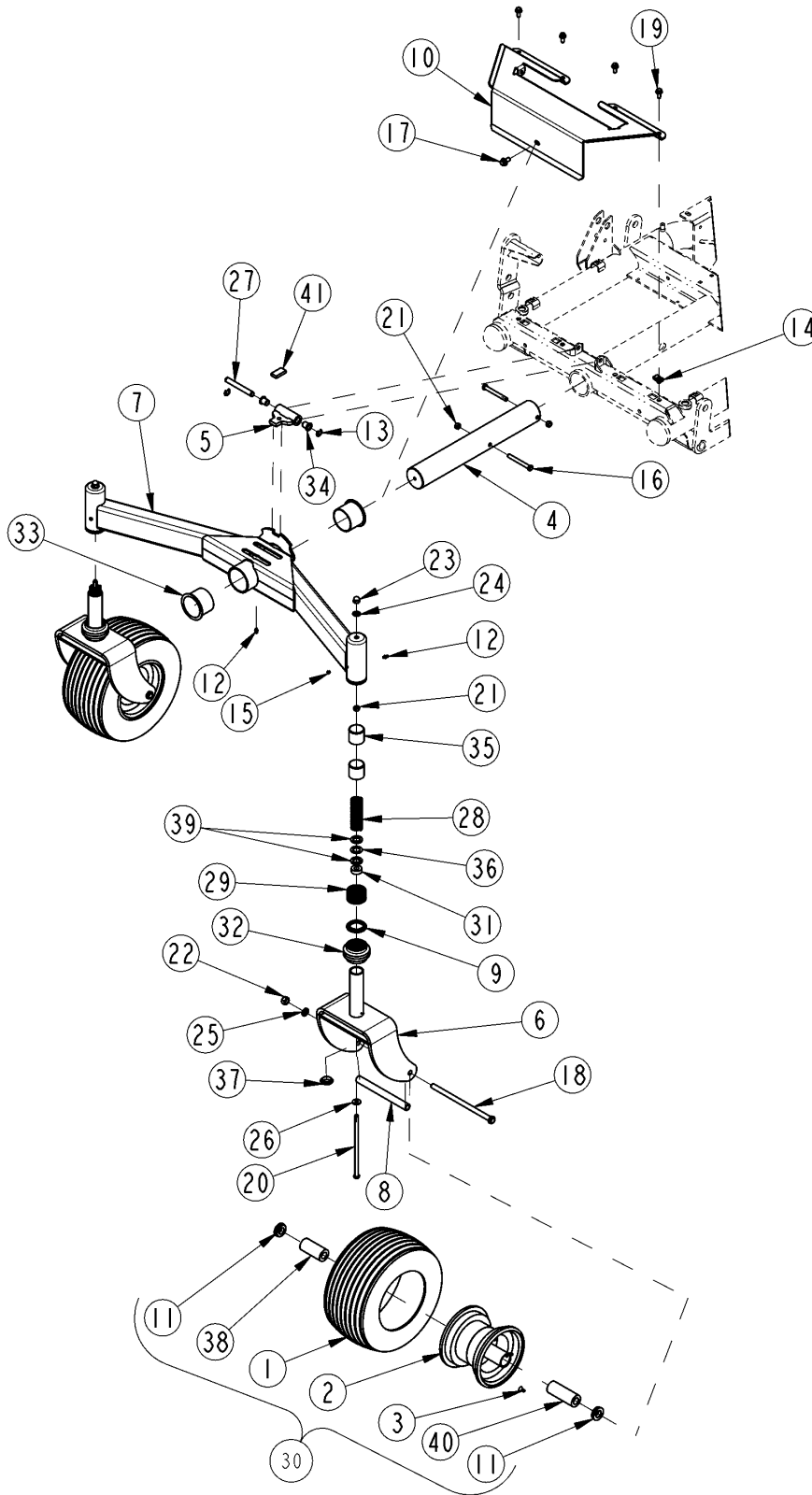
30755

Fuel System S/N 672164+**Applies to ACCU-Z ZT60i (S/N 748109-), ACCU-Z ZT72i (S/N 748109-)**

Ref	Part No.	Part Description	Comments	Revision
	dwg30755	Drawing Image Number		
1.	203238	CAP, NON-VENTED FUEL		
2.	356-137S	GAS TANK FITTING W/NUT&WASHER		
3.	800-356C	CLAMP PINCH FOR .50 OD HOSE		
4.	802-732C	HFSS 3/8-16X5/8 GR5 ZNYCR		
5.	N/A	GROMMET, FUEL TANK FITTING		
6.	817-887C	LH FUEL TANK, RED, COMPLIANT		
7.	817-888C	RH FUEL TANK, RED, COMPLIANT		
8.	829-120C	VALVE, FUEL SELECTOR		
9.	830-009C	TEE 1/4HB POLYPROP		
10.	830-393C	EL 1/4HB X 1/4HB STEEL		
11.	N/A	ROV ASY		
12.	831-035C	HONDA FUEL FILTER		
13.	990-225R	HOSE RUBBER.25ID/.5 OD SAE30R7	1 1/2" LG	
14.	990-225R	HOSE RUBBER.25ID/.5 OD SAE30R7	33 1/2" LG	
15.	990-225R	HOSE RUBBER.25ID/.5 OD SAE30R7	33 1/2 " LG	
16.	990-225R	HOSE RUBBER.25ID/.5 OD SAE30R7	44 1/4" LG" LG	
17.	990-225R	HOSE RUBBER.25ID/.5 OD SAE30R7	23" LG	
18.	990-225R	HOSE RUBBER.25ID/.5 OD SAE30R7	23" LG	
19.	990-225R	HOSE RUBBER.25ID/.5 OD SAE30R7	63 3/4" LG	
20.	800-412C	CLAMP WRM DRV (.21-.63)		
21.	357-501A	SV KIT, EPA VALVE & GROMMET		

Wheel Front Caster

Applies to ACCU-Z ZT60i (S/N 748109-), ACCU-Z ZT72i (S/N 748109-)



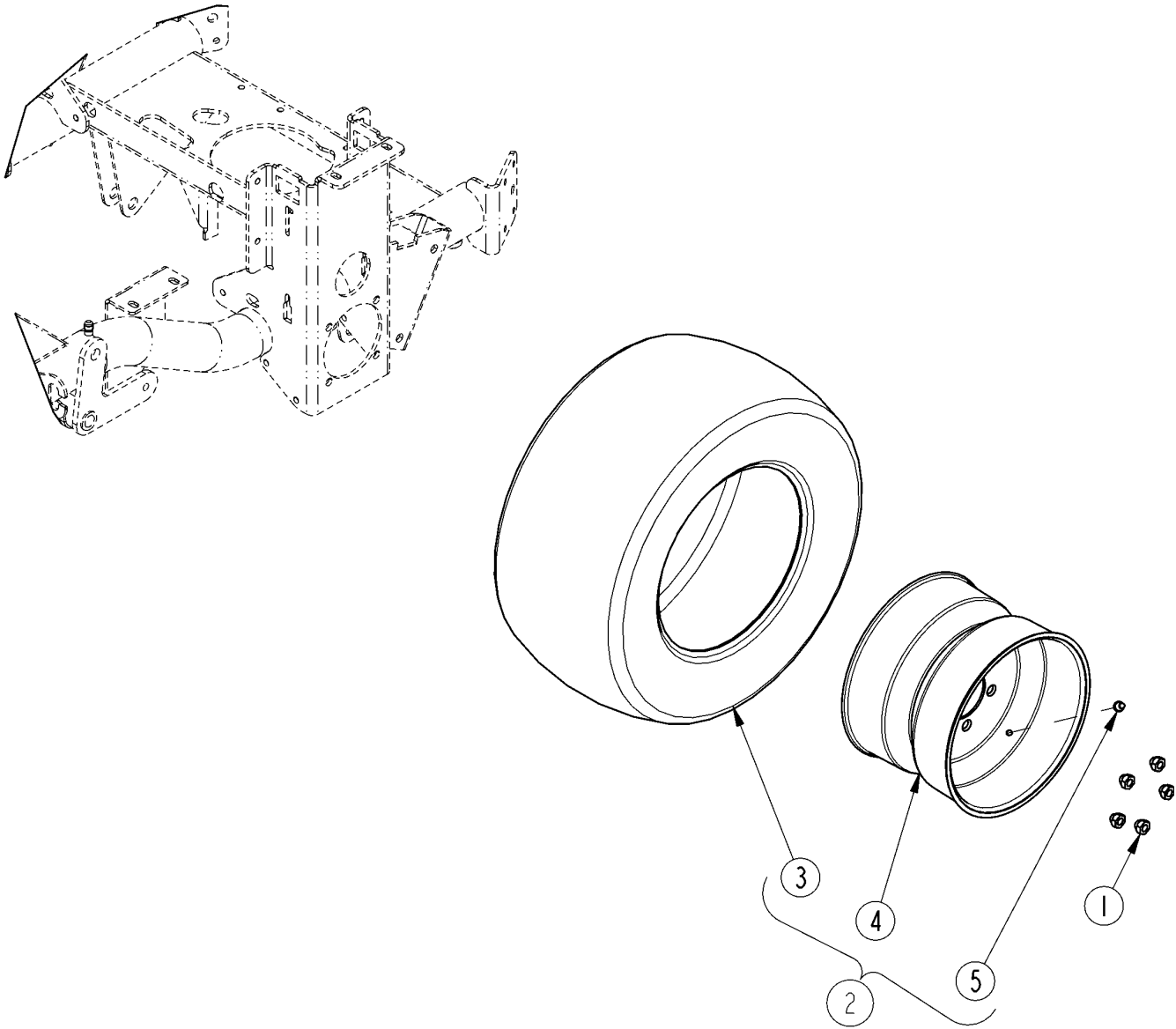
30022

Wheel Front Caster**Applies to ACCU-Z ZT60i (S/N 748109-), ACCU-Z ZT72i (S/N 748109-)**

Ref	Part No.	Part Description	Comments	Revision
	dwg30022	Drawing Image Number		
1.	5181861	CARLISLE TIRE 13 X 6.5-6 4PLY		
2.	814-323C	RIM 6.50X6		
3.	TR-412	T1. VALVE MARTIN		
4.	357-234D	SHAFT, AXLE PIVOT		
5.	357-258H	LOCK-BOLT ASSY.		
6.	357-384H	FORK ASM, ZT TELE-CASTER®		
7.	357-387H	AXLE ASM, IN TELE-CASTER®		
8.	357-487D	TUBE,CASTER WHEEL AXLE		
9.	357-870D	COLLAR,BELLOWS RETAINING		
10.	357-875D	BRACKET,FLOOR PAN ATTACHMENT		
11.	53-164	TILDEN RTNR 3/4IDX1 3/8OD		
12.	800-001C	GREASE ZERK STRAIGHT 1/4-28		
13.	800-093C	SNAP RING EXT E 1/2		
14.	800-120C	NUT CLIP U-TYPE 5/16-18		
15.	801-229C	SCREW SLOTTED HEX 1/4-28X3/16		
16.	802-168C	HHCS 3/8-16X3 1/4 GR5		
17.	802-185C	HFSS 3/8-16X3/4 LG		
18.	802-269C	HHCS 1/2-13X9 GR5		
19.	802-387C	HFS 5/16-18X3/4 GR5		
20.	802-900C	HHCS 3/8-16X8 GR5 ZNYCR		
21.	803-013C	NUT LOCK 3/8-16 PLT		
22.	803-020C	NUT HEX 1/2-13 PLT		
23.	803-380C	NUT,3/8-16 PLT REGULAR ACORN		
24.	804-012C	WASHER FLAT 3/8 SAE PLT		
25.	804-015C	WASHER LOCK SPRING 1/2 PLT		
26.	804-136C	WASHER FLAT 3/8 NEOPRENE PLT		
27.	805-409C	PIN,.5X4.5X4.25 E-CLIP CLEVIS		
28.	807-293C	SPRING,1.122X.207WX5.0L COMP		
29.	807-296C	SPRING,1.96X.100X3.19L		
30.	814-304C	TIRE/WHL,13X6.50-6NHS 4PR RIB		
31.	816-645C	SPRING,1.13X.50X.44T URETHANE		
32.	816-649C	BELLOWS,2.00 ID X 1.68L		
33.	817-684C	BSHG FLG 2.50IDX2.69ODX2.00L		
34.	817-790C	BEARING,.500X.625X.750L FLG		
35.	817-843C	BEARING,1.50X1.65X1.50L SLEEVE		
36.	817-844C	BEARING,1.25X.75X.06T THRUST		
37.	817-845C	PLUG,1.00X.80-.20 HOLE		
38.	822-223C	BRG .75X1.38X3.00L ROLLER		
39.	822-247C	RACE,1.25X.75X.13T BRG		
40.	822-222C	BRG,.75X1.38X3.75L ROLLER		
41.	990-024R	SEAL 5/16 X 3/4 DOR-TITE TRAY		

Wheel Rear Drive

Applies to ACCU-Z ZT60i (S/N 748109-), ACCU-Z ZT72i (S/N 748109-)



24634

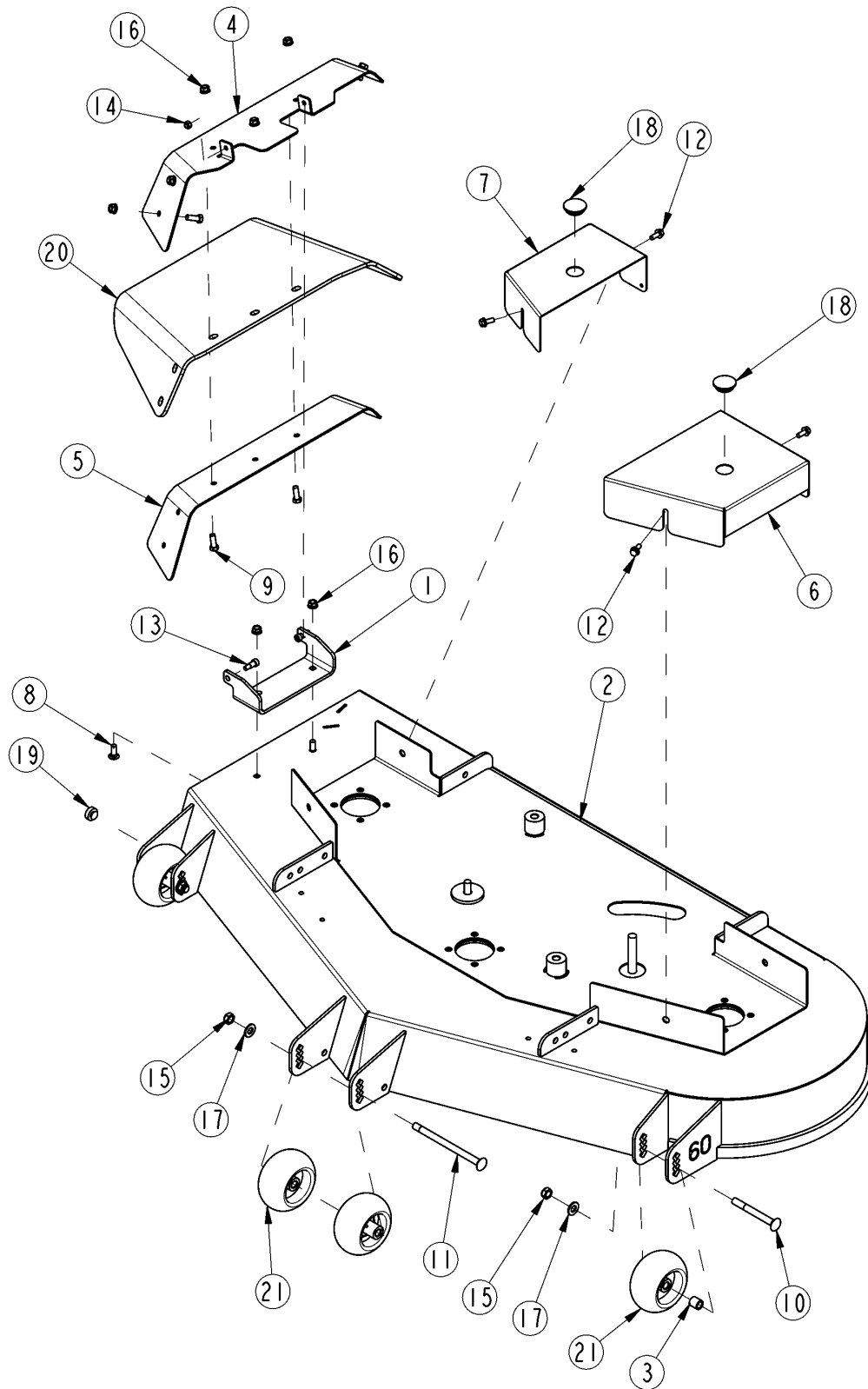
Wheel Rear Drive

Applies to ACCU-Z ZT60i (S/N 748109-), ACCU-Z ZT72i (S/N 748109-)

Ref	Part No.	Part Description	Comments	Revision
	dwg24634	Drawing Image Number		
1.	803-329C	NUT LUG 1/2-20X60DEG PLT(.81AF		
2.	814-305C	TIRE/WHL,24X12.00-12 4PR TURF		
3.	814-310C	TURF TIRE 24X12		
4.	814-311C	WHEEL-RIM 12		
5.	TR-412	T1. VALVE MARTIN		

Deck Components

Applies to ACCU-Z ZT60i (S/N 748109-), ACCU-Z ZT72i (S/N 748109-)



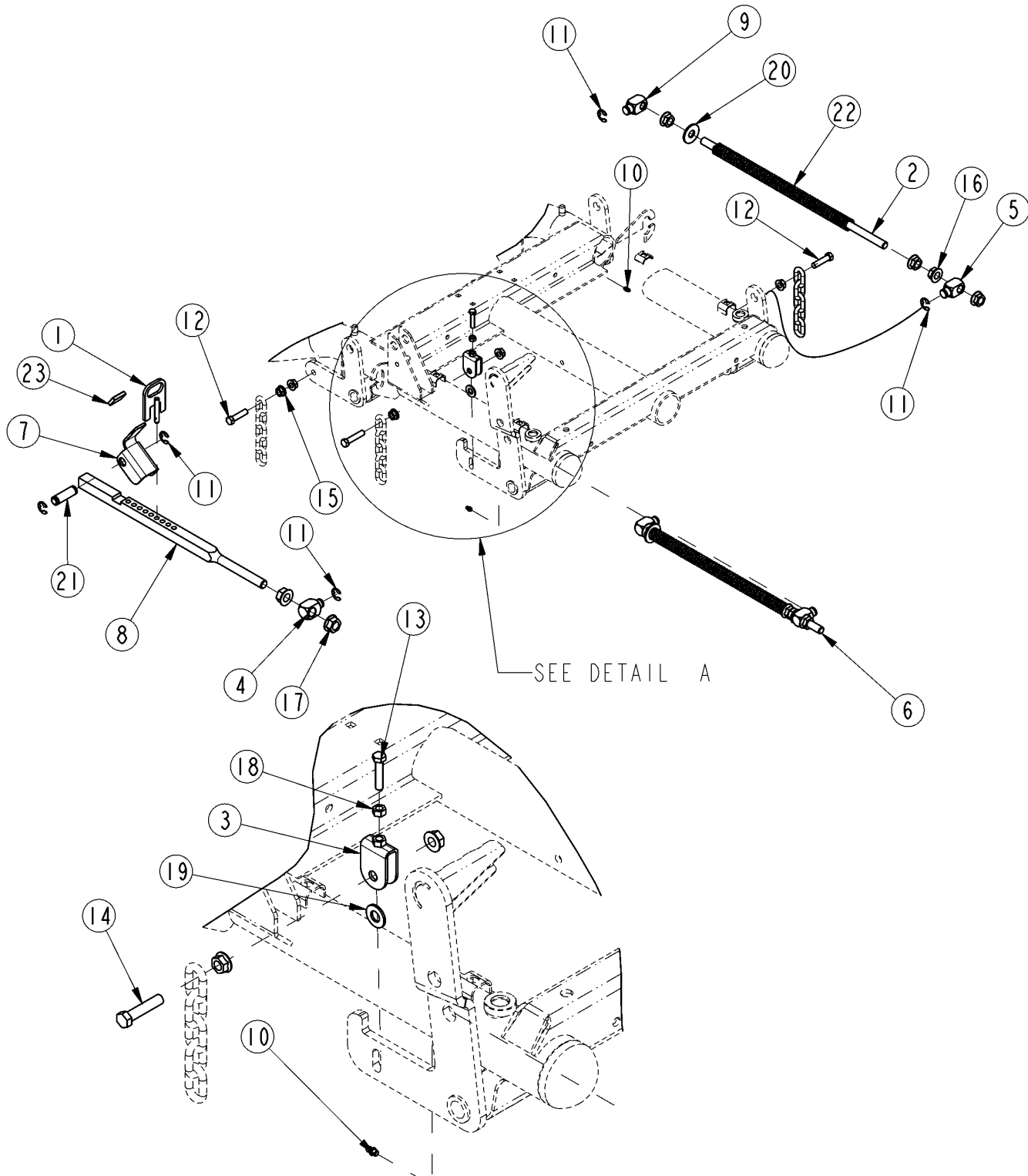
30003

Deck Components**Applies to ACCU-Z ZT60i (S/N 748109-), ACCU-Z ZT72i (S/N 748109-)**

Ref	Part No.	Part Description	Comments	Revision
	dwg30003	Drawing Image Number		
1.	357-282D	CHUTE BRACKET		
2.	357-397H	DECK WMT, ZT, 60I		
2.	357-391H	DECK WMT, ZT, 72I		
3.	357-722D	SPACER 3/4OD X 11GA WL X 3/4L		
4.	357-803D	CHUTE BRACKET, TOP		
5.	357-804D	CHUTE BRACKET, BOTTOM		
6.	357-924D	BELT GUARD, ZT, 60I, LH		
6.	357-906D	BELT GUARD, 72I, ZT, LH		
7.	357-925D	BELT GUARD, ZT, 60I, RH		
7.	357-907D	BELT GUARD, 72I, ZT, RH		
8.	802-015C	RHSNB 3/8-16X1 GR5		
9.	802-017C	HHCS 3/8-16X1 GR5		
10.	802-137C	RHSNB 1/2-13X4 1/2 GR8 PLT		
11.	802-218C	RHSNB 1/2-13X7 1/4 GR5 SPTHD		
12.	802-387C	HFS 5/16-18X3/4 GR5		
13.	802-794C	SHOULDER BOLT 3/8X1/2X5/16-18		
14.	803-084C	NUT HEX NYLOCK 5/16-18 PLT		
15.	803-178C	NUT NYLOCK JAM NUT 1/2-13		
16.	803-209C	NUT FLANGE LOCK 3/8-16 PLT		
17.	804-016C	WASHER FLAT 1/2 SAE PLT		
18.	816-298C	RUBBER PLUG 1 3/8 W/CROSS SLIT		
19.	816-483C	BUMPER, 1.00X.31THK PUSH IN		
20.	816-537C	CHUTE, RUBBER DISCHARGE		
21.	817-581C	WHEEL, ANTI SCALP		

Deck Lift

Applies to ACCU-Z ZT60i (S/N 748109-), ACCU-Z ZT72i (S/N 748109-)



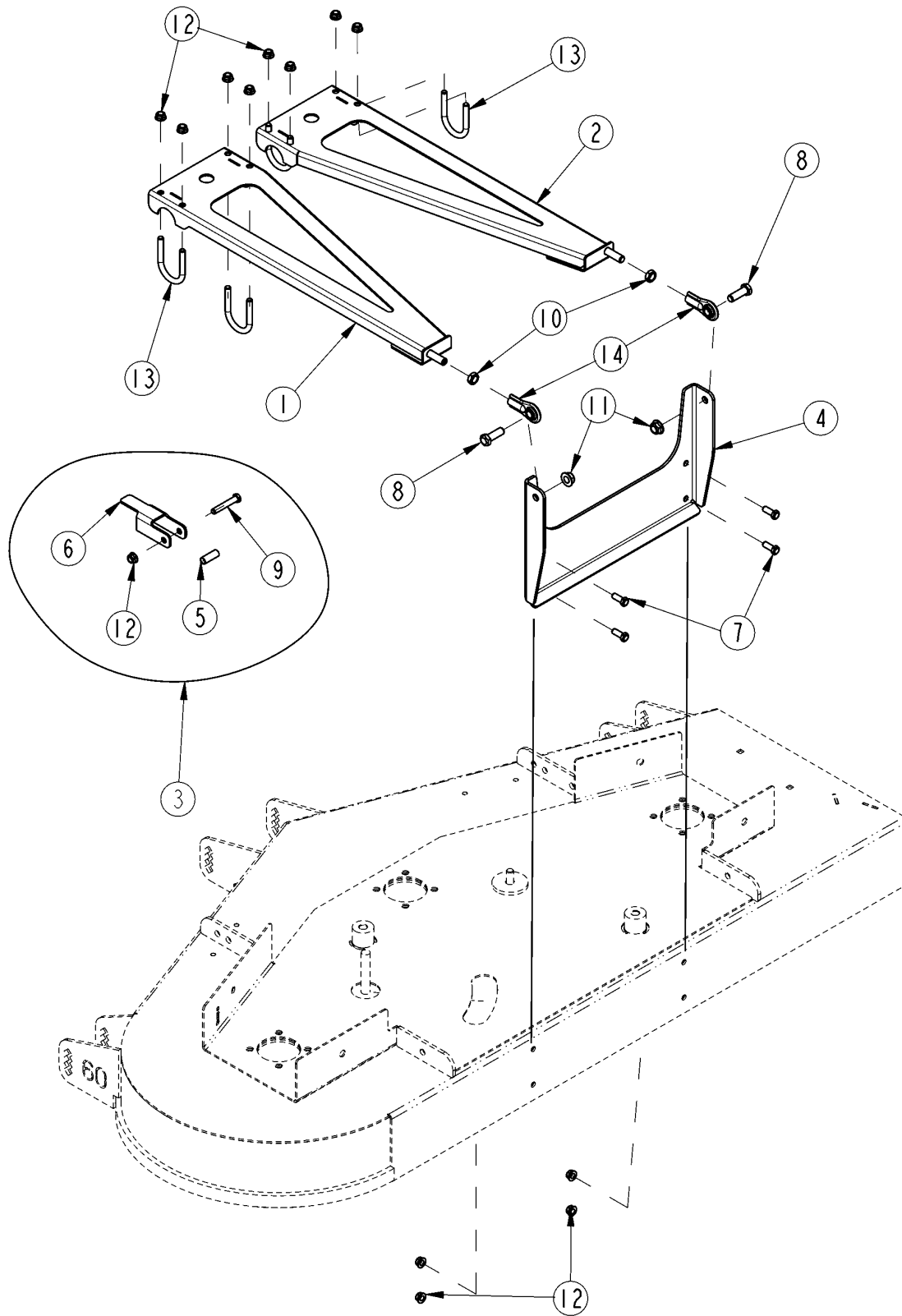
25856

Deck Lift**Applies to ACCU-Z ZT60i (S/N 748109-), ACCU-Z ZT72i (S/N 748109-)**

Ref	Part No.	Part Description	Comments	Revision
	dwg25856	Drawing Image Number		
1.	357-001H	STOP AY, DECK HEIGHT		
2.	357-002D	ROD, DECK LIFT		
3.	357-009H	YOKE AY, DECK LIFT ADJUSTING		
4.	357-020D	TRUNION, 3/4 DECK LIFT		
5.	357-021D	TRUNION, 5/8 DECK LIFT		
6.	357-132S	ASSY,ACCU-Z DECK LIFT SPRING		
7.	357-149D	PAWL, DECK HEIGHT GAUGE		
8.	357-330D	BAR,DECK HEIGHT GAUGE		
9.	357-413D	TRUNNION,5/8-11 DECK LIFT		
10.	800-080C	GREASE ZERK 1/4-28 THD FORMING		
11.	800-234C	EXTERNAL E-RING 3/4 I.D. HEAVY		
12.	802-113C	HHCS 7/16-14X1 3/4 GR5		
13.	802-179C	HHCS 5/16-18X1 1/2 FTHD G5		
14.	802-814C	HHCS 7/16-14X2 GR5 FTHD		
15.	803-052C	NUT HEX WHIZ 7/16-14 PLT		
16.	803-196C	NUT HEX FLANGE 5/8-11 PLT		
17.	803-214C	NUT HEX FLANGE 3/4-10 GR5 PLT		
18.	803-275C	NUT HEX 5/16-18 GR8 PLT		
19.	804-016C	WASHER FLAT 1/2 SAE PLT		
20.	804-019C	WASHER FLAT 5/8 USS PLT		
21.	805-106C	PIN,CLEVIS .75X2.5X2.00 E-CLIP		
22.	807-240C	SPRING, COMP 1.05ODX16LX.148W		
23.	817-631C	CAPLUG, VRF-187X1250-16		

Deck Mounting Strut

Applies to ACCU-Z ZT60i (S/N 748109-), ACCU-Z ZT72i (S/N 748109-)



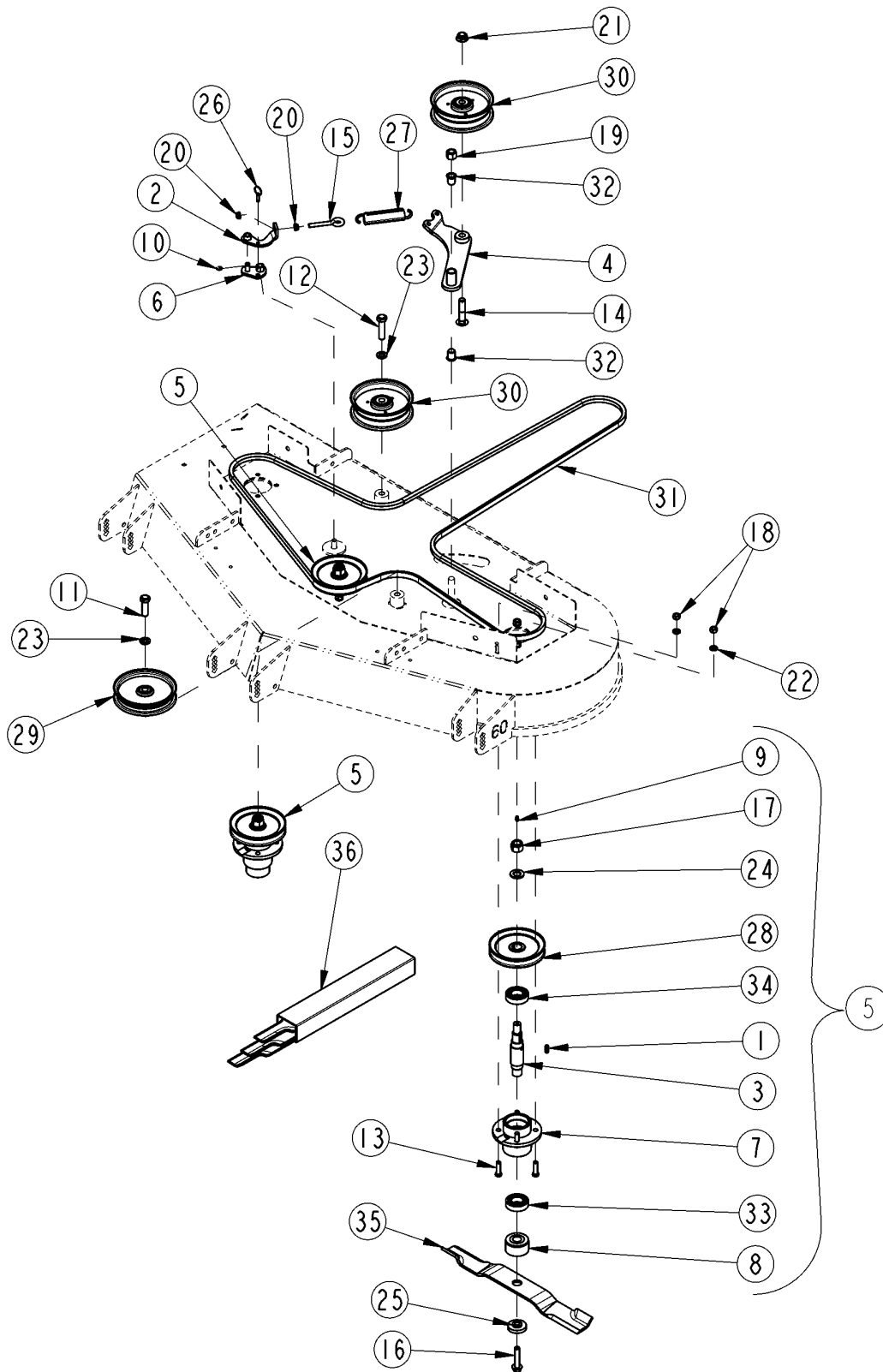
30005

Deck Mounting Strut**Applies to ACCU-Z ZT60i (S/N 748109-), ACCU-Z ZT72i (S/N 748109-)**

Ref	Part No.	Part Description	Comments	Revision
	dwg30005	Drawing Image Number		
1.	357-393H	STRUT ASM,LH DECK INTERFACE		
2.	357-394H	STRUT ASM,RH DECK INTERFACE		
3.	357-600S	KIT, ZXT PULLER ARM REPAIR	Service Kit Welding Required	
4.	357-885D	BRACKET,STRUT ATTACHMENT		
5.	358-341D	BSHG .40IDX.50ODX1.34L		
6.	358-342D	BRKT ZXT DECK ARM		
7.	802-017C	HHCS 3/8-16X1 GR5		
8.	802-091C	HHCS 1/2-13X1 1/2 GR5		
9.	802-382C	HHCS 3/8-16X2 1/4 GR5		
10.	803-059C	NUT HEX JAM 1/2-20 PLT		
11.	803-169C	NUT HEX FLG LOCK 1/2-13 PLT		
12.	803-209C	NUT FLANGE LOCK 3/8-16 PLT		
13.	806-218C	U-BOLT 3/8-16X1 3/4X2 7/8 RND		
14.	890-058C	GIMBAL, 1/2 ROD END		

Deck Pulleys and Belt Drive

Applies to ACCU-Z ZT60i (S/N 748109-), ACCU-Z ZT72i (S/N 748109-)



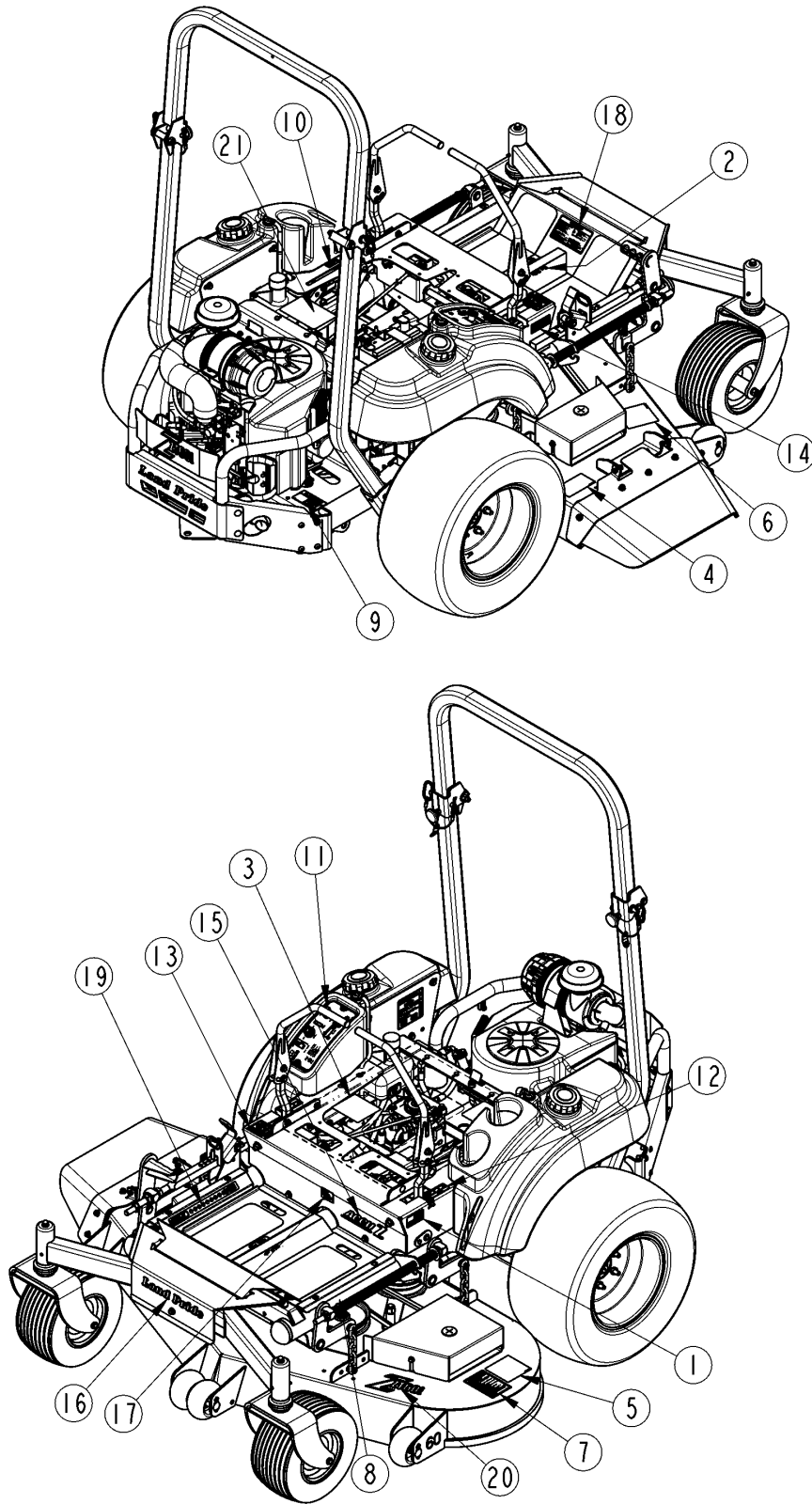
30002

Deck Pulleys and Belt Drive**Applies to ACCU-Z ZT60i (S/N 748109-), ACCU-Z ZT72i (S/N 748109-)**

Ref	Part No.	Part Description	Comments	Revision
	dwg30002	Drawing Image Number		
1.	172-242D	1/4 SQ. KEY X 7/8 LG		
2.	310-095H	CW SPRING EYE-BOLT BRACKET		
3.	310-630D	BLADE SPINDLE SHAFT CW TG		
4.	357-024H	LEVER AY, BELT TENSION IDLER		
5.	357-064S	CW HUB ASSY BTM MNT 6"PULLEY	ZT60I	
5.	357-078S	CW HUB ASSY BTM MNT 7.25"PULLY	ZT72I	
6.	357-224H	OVER CENTER LATCH-90		
7.	357-279D	BLADE HUB BOTTOM MOUNT		
8.	357-280D	BLADE HUB - 7/8 (PLATED) 1.29T		
9.	800-001C	GREASE ZERK STRAIGHT 1/4-28		
10.	800-099C	SNAP RING EXT 7/16		
11.	802-055C	HHCS 5/8-11X2 GR5		
12.	802-058C	HHCS 5/8-11X2 1/2 GR5		
13.	802-229C	HHCS 7/16-20X1 1/2 GR8		
14.	802-338C	RHSNB 5/8-11X3 GR5		
15.	802-567C	SP EYE 3/8-16X 3 7/8		
16.	802-698C	HFS 1/2-20X2 1/2 GR8		
17.	803-114C	NUT LOCK 3/4-16 NYLOC COLLAR		
18.	803-115C	NUT HEX 7/16-20 PLT		
19.	803-119C	NUT LOCK 5/8-18 NYLOK COLLAR P		
20.	803-198C	NUT HEX WHIZ 3/8-16 PLT		
21.	803-263C	NUT HEX FLANGE LOCK 5/8-11 PLT		
22.	804-014C	WASHER LOCK 7/16 PLT		
23.	804-022C	WASHER LOCK SPRING 5/8 PLT		
24.	804-093C	WASHER FLAT 3/4 HARD ASTM F436		
25.	804-110C	WASHER BLADE 2ODX.56THKX.51ID		
26.	805-405C	PIN 1/4 X 1/2 COTTERLESS HITCH		
27.	807-068C	SPRING EXT BELT HANDLE		
28.	808-127C	B-GROOVE DRIVE PULLEY 6 O.D.	ZT60I	
28.	808-361C	B-GROOVE PULLEY 7 1/4 O.D.	ZT72I	
29.	808-129C	FLAT IDLER 6" PULLEY (6 3/4 OD)		
30.	808-414C	FLAT IIDLER PULLEY, 6.75 O.D.		
31.	816-651C	V-BELT, KEVLAR	ZT60I	
31.	816-650C	V-BELT, KEVLAR B-SEC	ZT72I	
32.	817-028C	DOUBLE DISK ARM PIVOT BUSHINGS		
33.	822-006C	BRG BALL 30IDX62OD 206		
34.	822-161C	BRG 1.18IDX2.44OD 6206 W/SHLD		
35.	890-951C	MWR BLD 1/4X20.91 ML CW FUSION	ZT60I Standard	
35.	890-204C	MWR BLD 5/16X20 29/32SD LL CW	ZT60I Optional	
35.	890-702C	MWR BLD MULCH 1/4X20.91SD CW	ZT60I Optional	
35.	890-952C	MWR BLD 1/4X25 SD ML CW FUSION	ZT72I Standard	
35.	890-200C	MWR BLD 5/16 X 25SD LL CW	ZT72I Optional	
35.	890-698C	MWR BLD MULCH 1/4X25SD CW	ZT72I Optional	
36.	357-628A	40/60" MWR BLADE KIT, MED LIFT	ZT60I Standard	
36.	310-466A	40/60" MWR BLADE KIT, LOW LIFT	ZT60I Optional	
36.	310-469A	40/60" MWR BLADE KIT, MULCH	ZT60I Optional	
36.	357-629A	72" MOWER BLADE KIT, MED LIFT	ZT72I Standard	
36.	310-470A	72" MOWER BLADE KIT, LOW LIFT	ZT72I Optional	
36.	310-473A	72" MOWER BLADE KIT, MULCH	ZT72I Optional	

Label Placement

Applies to ACCU-Z ZT60i (S/N 748109-), ACCU-Z ZT72i (S/N 748109-)



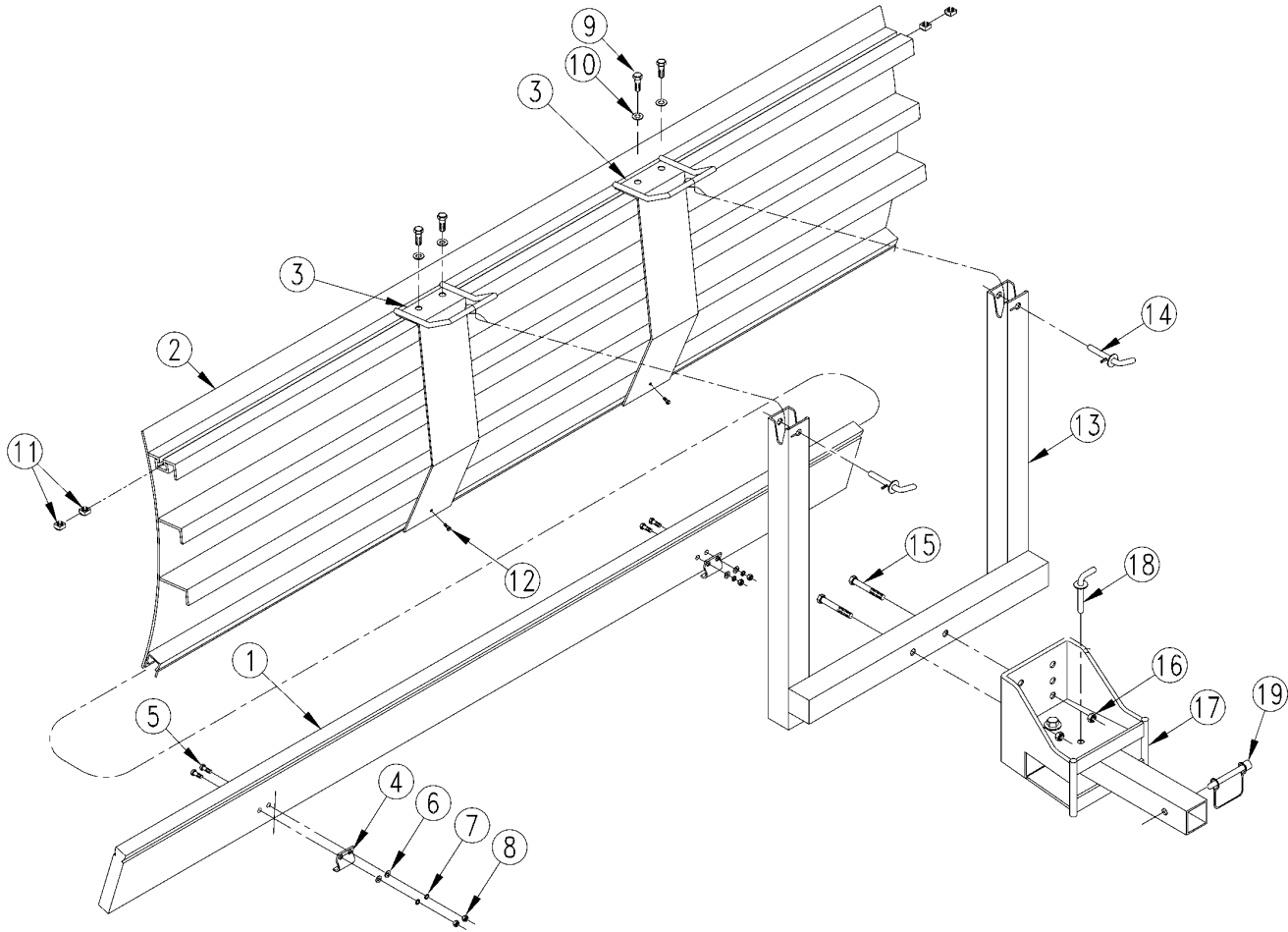
30048

Label Placement**Applies to ACCU-Z ZT60i (S/N 748109-), ACCU-Z ZT72i (S/N 748109-)**

Ref	Part No.	Part Description	Comments	Revision
	dwg30048	Drawing Image Number		
1.	818-190C	DECAL FLAG		
2.	818-543C	DECAL DANGER PD GUARD MISS SML		
3.	838-303C	DECAL DANGER BATTERY		
4.	838-306C	DECAL WARNING DO NOT OPERATE		
5.	838-307C	DECAL MOVING PART HAZARD		
6.	838-308C	DECAL ROTATING BLADE HAZARD		
7.	838-310C	DECAL WARNING GEN SAFE MOWER		
8.	838-328C	DECAL BELT ROUTING Z60		
9.	838-444C	DECAL DANGER HOT		
10.	838-812C	DECAL, PARK LEVER OPERATION		
11.	838-811C	DECAL, RAZOR 2 CONTROL PANEL		
12.	838-814C	DECAL, STEERING CONTROL		
13.	838-815C	DECAL, ROLLOVER HAZARD		
14.	838-829C	DECAL,CAUTION DO NOT PWR WASH		
15.	848-028C	DECAL ACCU Z TAN		
16.	848-030C	DECAL LANDPRIDE TAN 10.33X1.37		
17.	848-267C	DECAL,FUEL VALVE OPERATION		
18.	848-268C	DECAL,ZXT OPERATING		
19.	848-285C	DECAL,DECK CUTTING HEIGHT 1-5		
20.	848-469C	DECAL, ZT60I		
20.	848-470C	DECAL, ZT72I		
21.	848-489C	DECAL ZTI SERVICE PARTS		

60" Snow Blade Components

Applies to ACCU-Z ZT60i (S/N 748109-), ACCU-Z ZT72i (S/N 748109-)



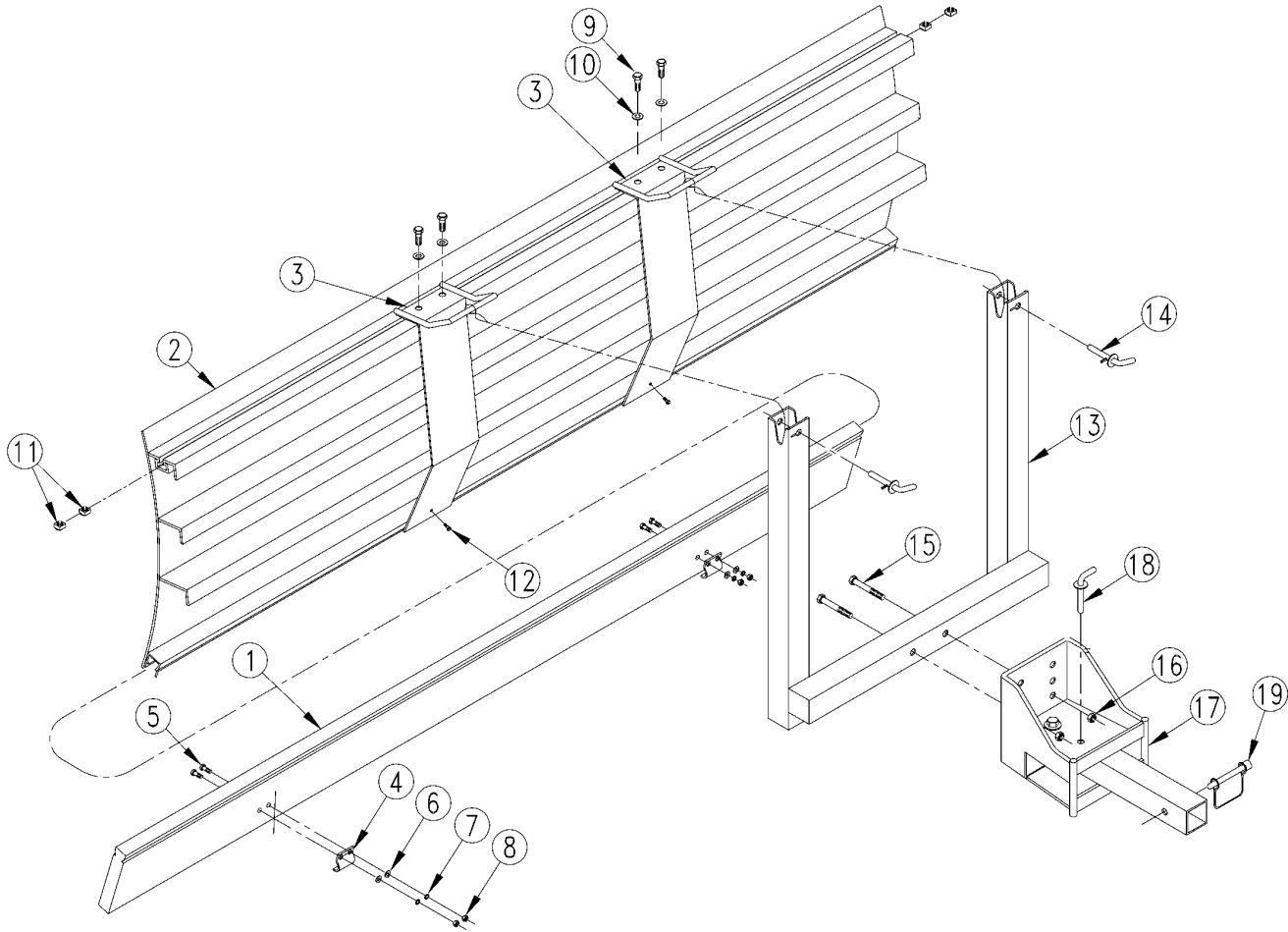
33574

60" Snow Blade Components**Applies to ACCU-Z ZT60i (S/N 748109-), ACCU-Z ZT72i (S/N 748109-)**

Ref	Part No.	Part Description	Comments	Revision
	dwg33574 357-243A	Drawing Image Number BLADE, SNOW 60" *		
1.	40725	RUBBER CUTTING EDGE 60		
2.	40771	MOLDBOARD 60		
3.	40743	SLIDE HINGE		
4.	40799	SKID BRACKET		
5.	802-868C	RHSNB 1/4-20X1 1/2 GR5 PLT		
6.	804-039C	WASHER FLAT 1 1/4 SAE PLT		
7.	804-030C	WASHER LOCK 1 1/4 SPRING PLT		
8.	803-006C	NUT HEX 1/4-20 PLT		
9.	802-014C	HHCS 3/8-16X3/4 GR5		
10.	804-011C	WASHER FLAT 3/8 USS PLT		
11.	803-124C	NUT SQ 3/8-16 PLAIN		
12.	802-869C	SP SELF TAP 3/8-16X1		
13.	40687	PUSH FRAME		
14.	30489	KEYHOLE PIN		
15.	802-041C	HHCS 1/2-13X3 1/2 GR5		
16.	803-019C	NUT LOCK 1/2-13 PLT		
17.	40683	ANGLE INTERCEPTOR		
18.	20608	SWIVEL PIN		
19.	10888	LOCK PIN		

72" Snow Blade Components

Applies to ACCU-Z ZT60i (S/N 748109-), ACCU-Z ZT72i (S/N 748109-)



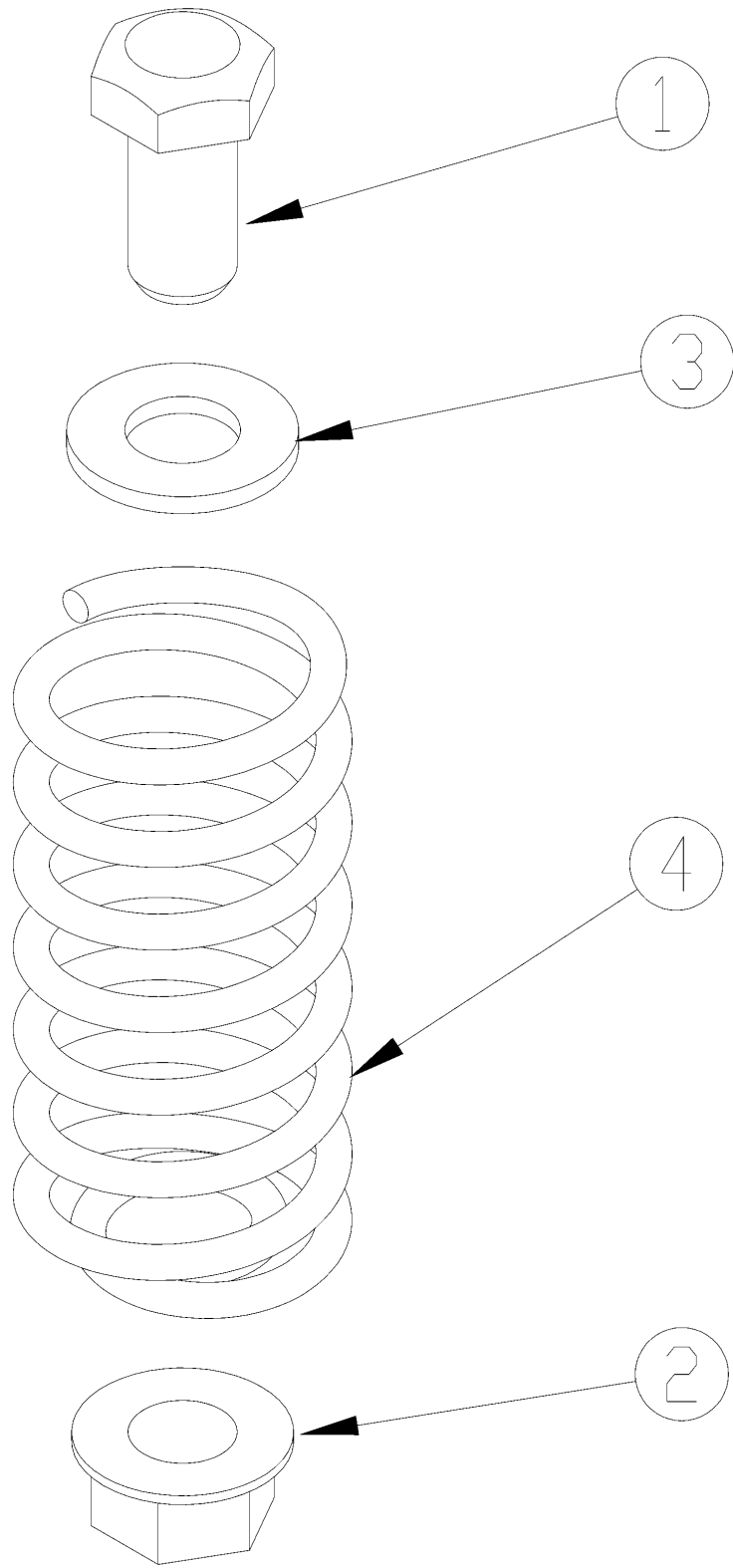
33575

72" Snow Blade Components**Applies to ACCU-Z ZT60i (S/N 748109-), ACCU-Z ZT72i (S/N 748109-)**

Ref	Part No.	Part Description	Comments	Revision
	dwg33575 357-244A	Drawing Image Number BLADE, SNOW 72" *		
1.	40894	RUBBER CUTTING EDGE 72		
2.	40871	MOLDBOARD 72		
3.	40743	SLIDE HINGE		
4.	40799	SKID BRACKET		
5.	802-868C	RHSNB 1/4-20X1 1/2 GR5 PLT		
6.	804-039C	WASHER FLAT 1 1/4 SAE PLT		
7.	804-030C	WASHER LOCK 1 1/4 SPRING PLT		
8.	803-006C	NUT HEX 1/4-20 PLT		
9.	802-014C	HHCS 3/8-16X3/4 GR5		
10.	804-011C	WASHER FLAT 3/8 USS PLT		
11.	803-124C	NUT SQ 3/8-16 PLAIN		
12.	802-869C	SP SELF TAP 3/8-16X1		
13.	40687	PUSH FRAME		
14.	30489	KEYHOLE PIN		
15.	802-041C	HHCS 1/2-13X3 1/2 GR5		
16.	803-019C	NUT LOCK 1/2-13 PLT		
17.	40683	ANGLE INTERCEPTOR		
18.	20608	SWIVEL PIN		
19.	10888	LOCK PIN		

Auxiliary Spring Kit

Applies to ACCU-Z ZT60i (S/N 748109-), ACCU-Z ZT72i (S/N 748109-)



33572

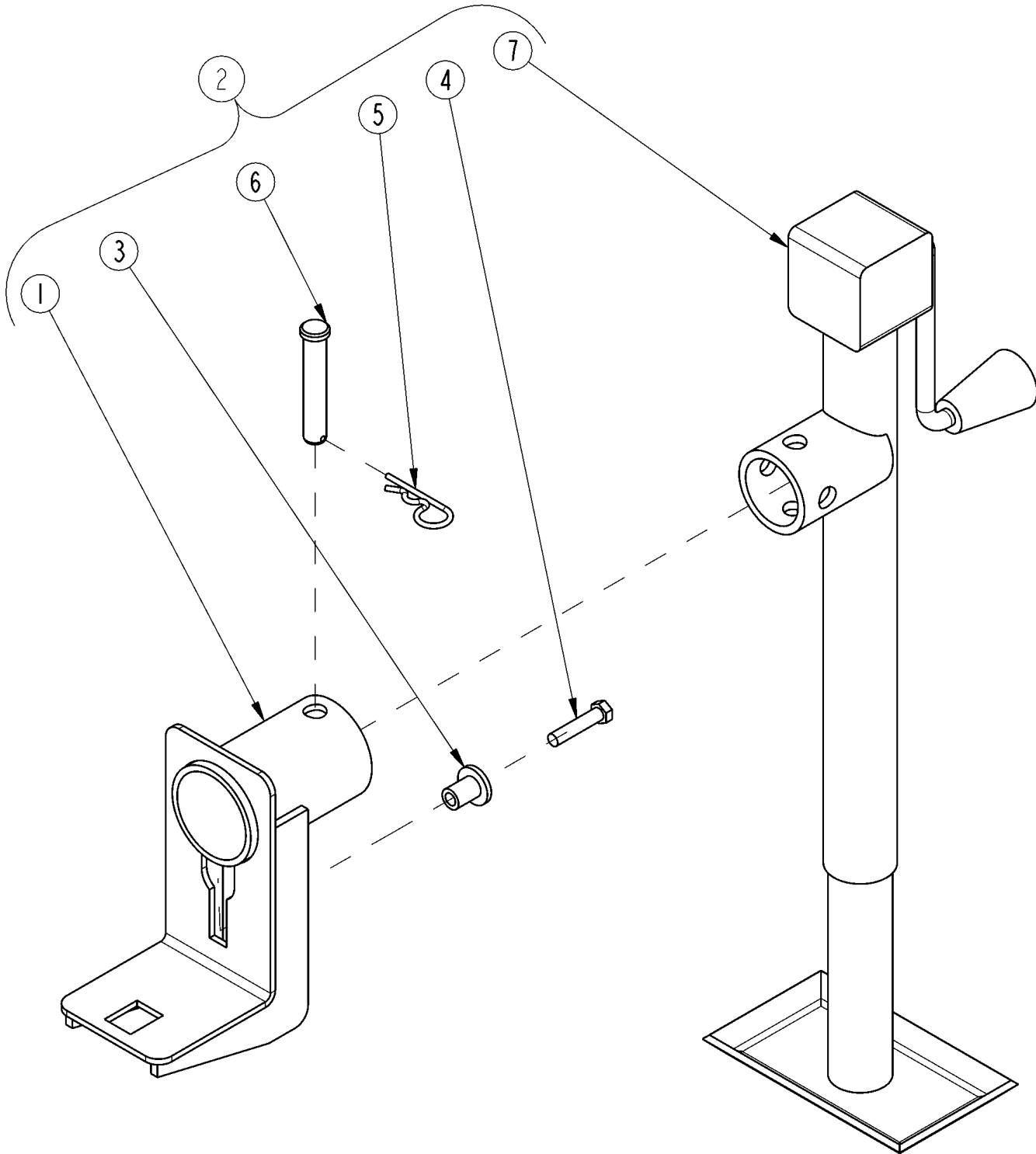
Auxiliary Spring Kit

Applies to ACCU-Z ZT60i (S/N 748109-), ACCU-Z ZT72i (S/N 748109-)

Ref	Part No.	Part Description	Comments	Revision
	dwg33572	Drawing Image Number		
	357-405A	KIT, AUX SPRG, SPRG SEAT PAN *		
1.	802-258C	HHCS 1/2-13X1 GR5		
2.	803-193C	NUT HEX FLANGE 1/2-13 GR G PLT		
3.	804-016C	WASHER FLAT 1/2 SAE PLT		
4.	807-288C	SPRG 1.55ODX1.65WX3.5L SEATPAN		

Lift Jack Front Mount

Applies to ACCU-Z ZT60i (S/N 748109-), ACCU-Z ZT72i (S/N 748109-)



30195

Lift Jack Front Mount

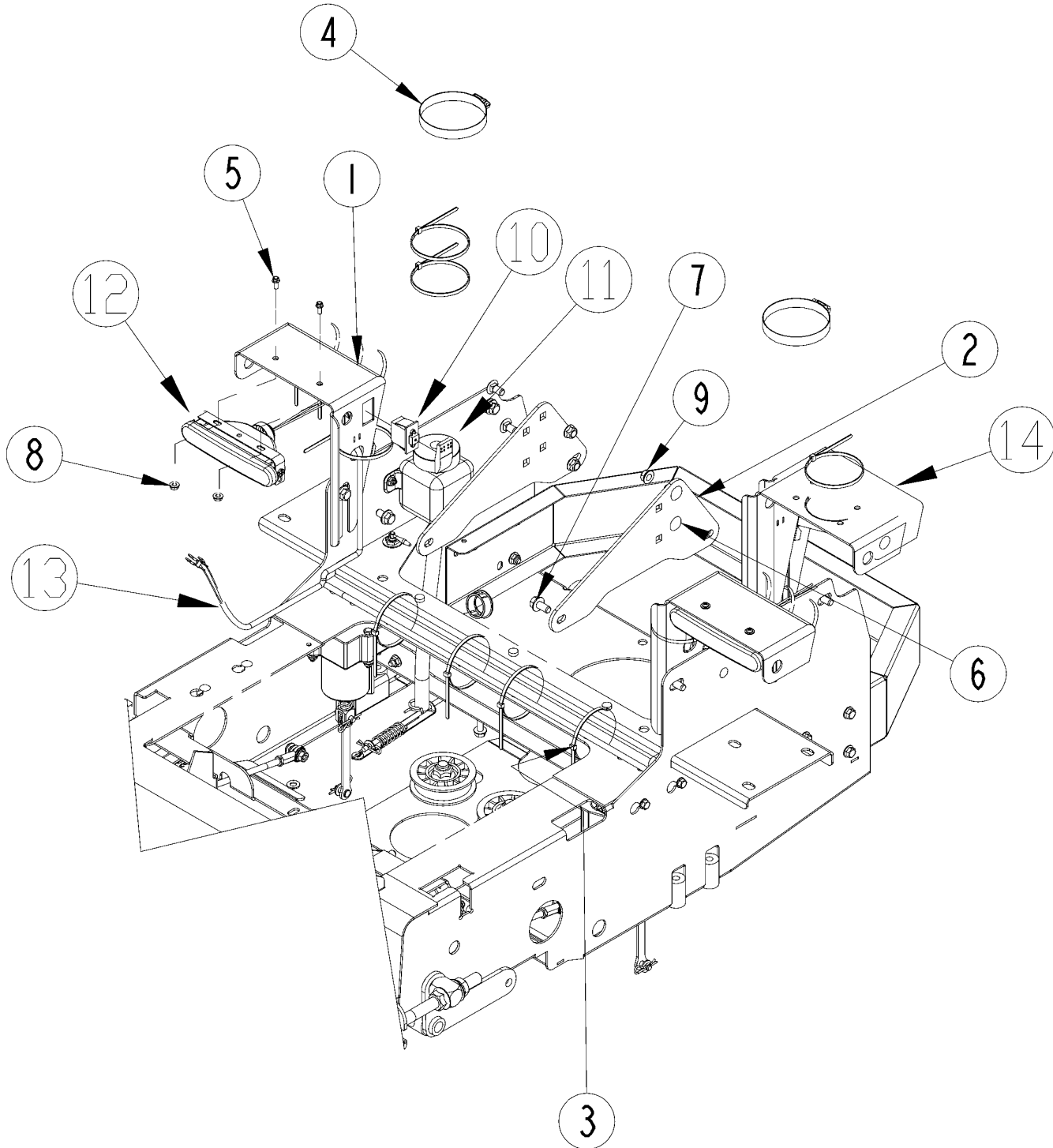
Applies to ACCU-Z ZT60i (S/N 748109-), ACCU-Z ZT72i (S/N 748109-)

Ref	Part No.	Part Description	Comments	Revision
	dwg30195	Drawing Image Number		
1.	357-208H	LIFT BRACKET		
2.	357-209A	MOWER JACK, ACCU Z		
3.	357-503D	JACK RETAINER		
4.	802-297C	HHCS 3/8-16X1 3/4 GR8		
5.	805-032C	PIN HAIR COTTER .148 WIRE		
6.	805-334C	PIN CLEVIS 5/8 X 3 1/2		
7.	890-245C	SCREW JACK 2000# 15-30 TOP WND		

Light Kit Z-Mowers

Applies to ACCU-Z ZT60i (S/N 748109-), ACCU-Z ZT72i (S/N 748109-)

USED ONLY WHEN
MOUNTING TO ROPS



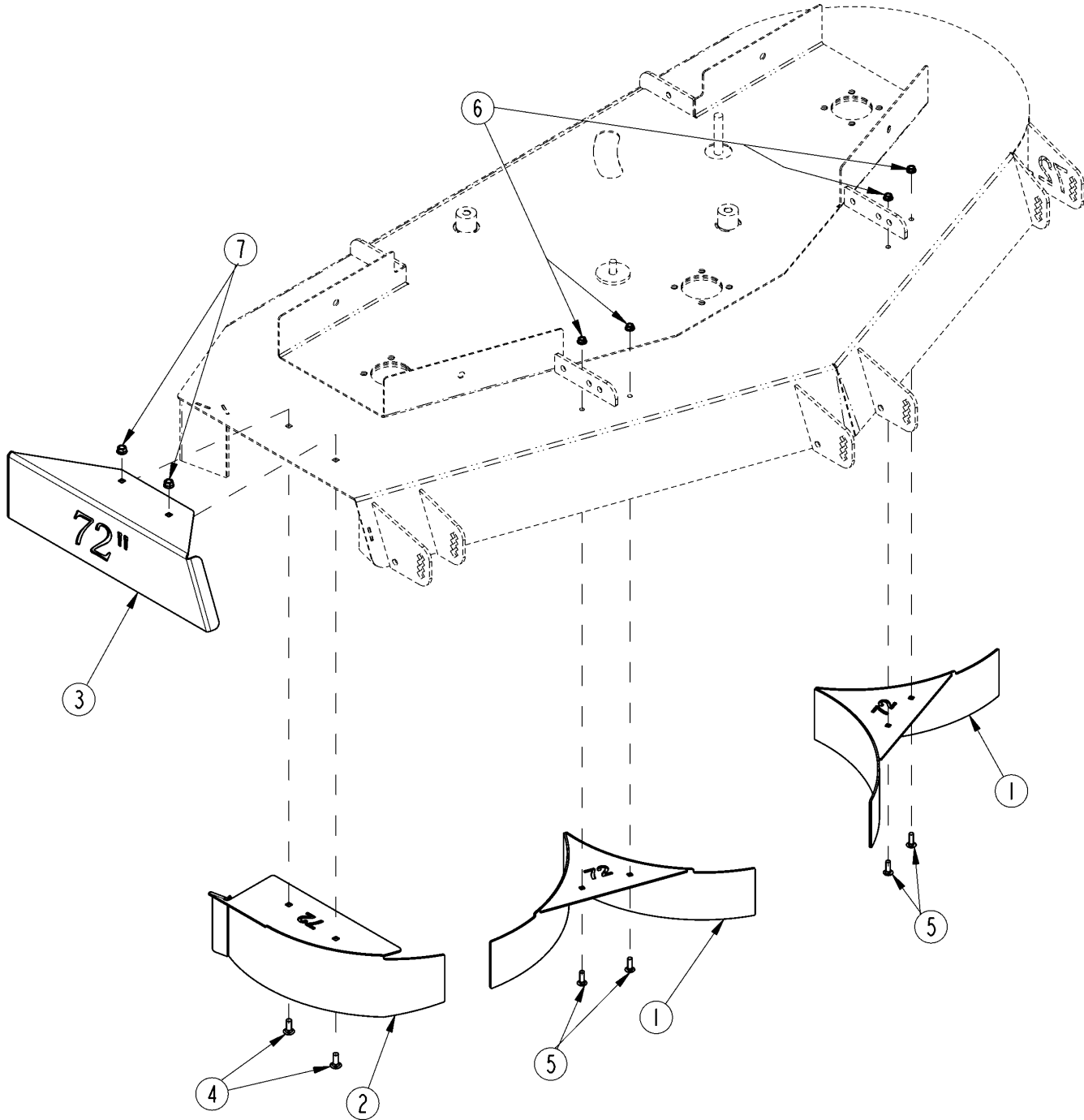
33569

Light Kit Z-Mowers**Applies to ACCU-Z ZT60i (S/N 748109-), ACCU-Z ZT72i (S/N 748109-)**

Ref	Part No.	Part Description	Comments	Revision
	dwg33569 357-160A	Drawing Image Number LIGHT KIT, Z-MOWER *		
1.	357-450D	LIGHT BRCKT RH, Z MOWER		
2.	357-634D	ADAPTER PLATE LIGHT KIT		
3.	800-060C	CABLE TIE .19X14.25 3DIA 50LB		
4.	800-241C	CLAMP WRM DRV #48SS (1.63-3.5)		
5.	802-148C	HFSS 1/4-20X1/2 GR5		
6.	802-149C	RHSNB 3/8-16X3/4 GR5		
7.	802-185C	HFSS 3/8-16X3/4 LG		
8.	803-088C	NUT HEX LOCK 1/4-20 FLG		
9.	803-209C	NUT FLANGE LOCK 3/8-16 PLT		
10.	833-269C	SWITCH ROCKER SPST		
11.	833-271C	SWITCH ACTUATOR		
12.	833-275C	HEADLIGHT		
13.	833-444C	WIRE HARNESS,LIGHT KIT Z-MOWER		
14.	357-461D	LIGHT BRCKT LH, Z MOWER		

Mulching Kit

Applies to ACCU-Z ZT60i (S/N 748109-), ACCU-Z ZT72i (S/N 748109-)



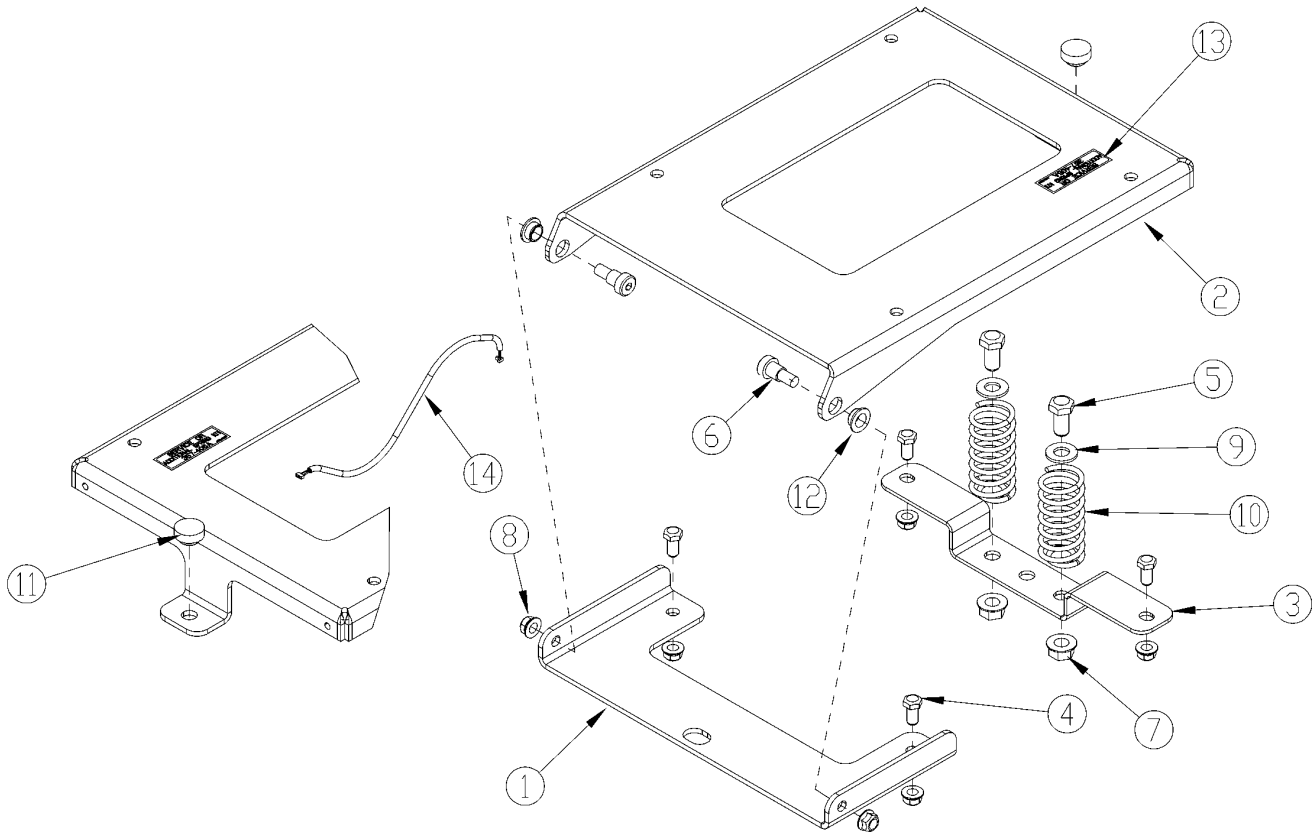
30119

Mulching Kit**Applies to ACCU-Z ZT60i (S/N 748109-), ACCU-Z ZT72i (S/N 748109-)**

Ref	Part No.	Part Description	Comments	Revision
	dwg30119	Drawing Image Number		
	357-403A	MULCH KIT, 72I, ZT		
	357-358A	MULCH KIT, 60 IN RAZOR *		
1.	357-401H	MULCH BAFFLE, 72I, ZT		
1.	357-356H	MULCH BAFFLE, 60 IN, RAZOR		
2.	357-402H	MULCH PLUG, 72I, ZT		
2.	357-357H	MULCH PLUG, 60 IN, RAZOR		
3.	357-931D	MULCH PLUG COVER, 72I, ZT		
3.	357-940D	MULCH PLUG COVER, 60		
4.	802-015C	RHSNB 3/8-16X1 GR5		
5.	802-092C	RHSNB 5/16-18X3/4 GR5		
6.	803-043C	NUT HEX WHIZ 5/16-18 PLT		
7.	803-209C	NUT FLANGE LOCK 3/8-16 PLT		

Seat Spring Kit

Applies to ACCU-Z ZT60i (S/N 748109-), ACCU-Z ZT72i (S/N 748109-)



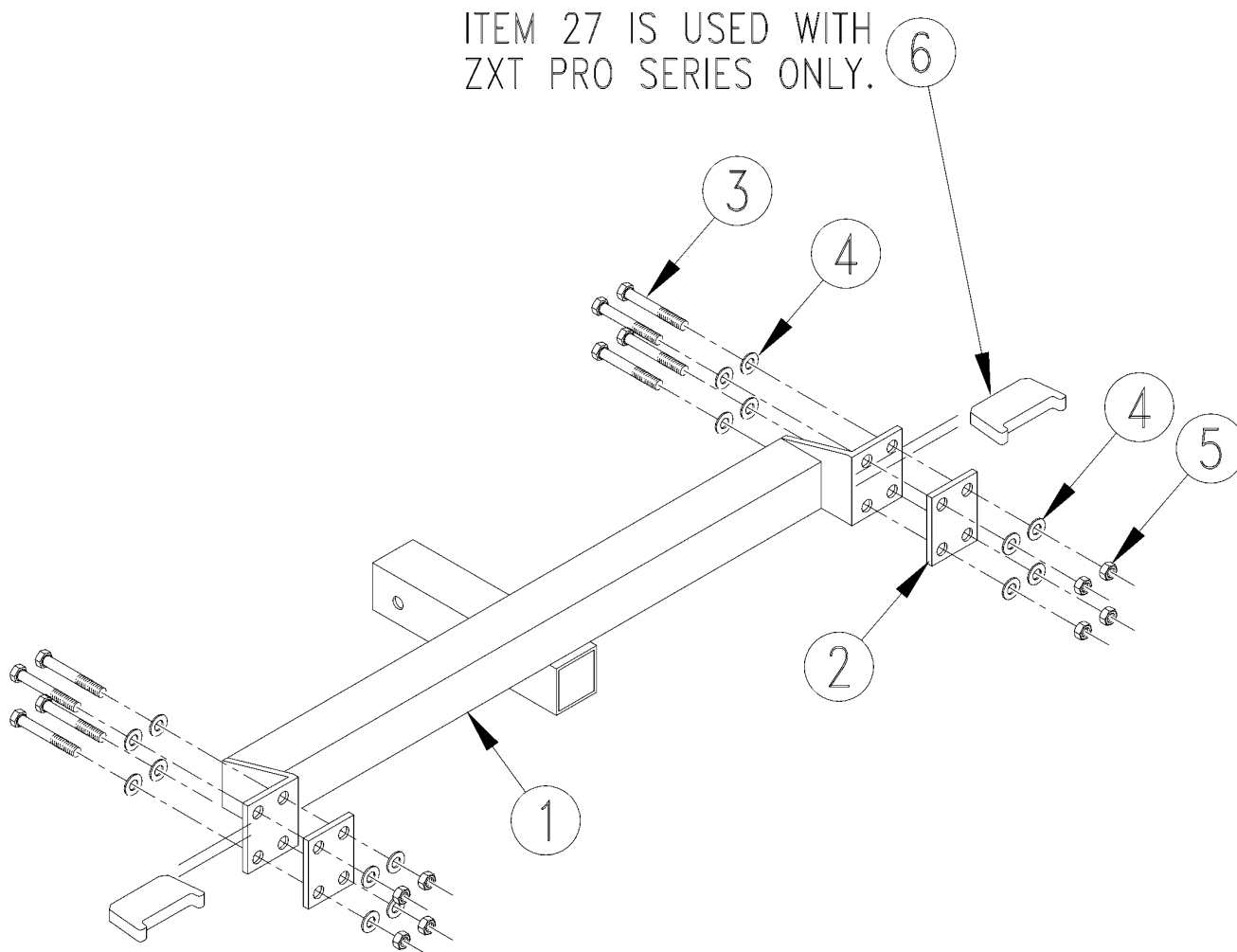
33571

Seat Spring Kit**Applies to ACCU-Z ZT60i (S/N 748109-), ACCU-Z ZT72i (S/N 748109-)**

Ref	Part No.	Part Description	Comments	Revision
	dwg33571	Drawing Image Number		
	357-395A	SPRING SEAT KIT, ZXT, ZT, ZTI *		
1.	357-910D	PIVOT PLATE ADAPTER		
2.	357-911D	HINGE SPRING PAN		
3.	357-912D	SPRING SADDLE		
4.	802-014C	HHCS 3/8-16X3/4 GR5		
5.	802-258C	HHCS 1/2-13X1 GR5		
6.	802-747C	SHLDR BLT 1/2DX1/2L 3/8-16 SS		
7.	803-193C	NUT HEX FLANGE 1/2-13 GR G PLT		
8.	803-209C	NUT FLANGE LOCK 3/8-16 PLT		
9.	804-016C	WASHER FLAT 1/2 SAE PLT		
10.	807-288C	SPRG 1.55ODX1.65WX3.5L SEATPAN		
11.	816-483C	BUMPER, 1.00X.31THK PUSH IN		
12.	817-560C	BSHG FLG .50IDX.62ODX.31L		
13.	848-496C	DECAL, AUX SPRING KIT		
14.	833-445C	HARNESS ASSY,SEAT SWITCH		

Snow Blade Mount Kit ZT60

Applies to ACCU-Z ZT60i (S/N 748109-), ACCU-Z ZT72i (S/N 748109-)



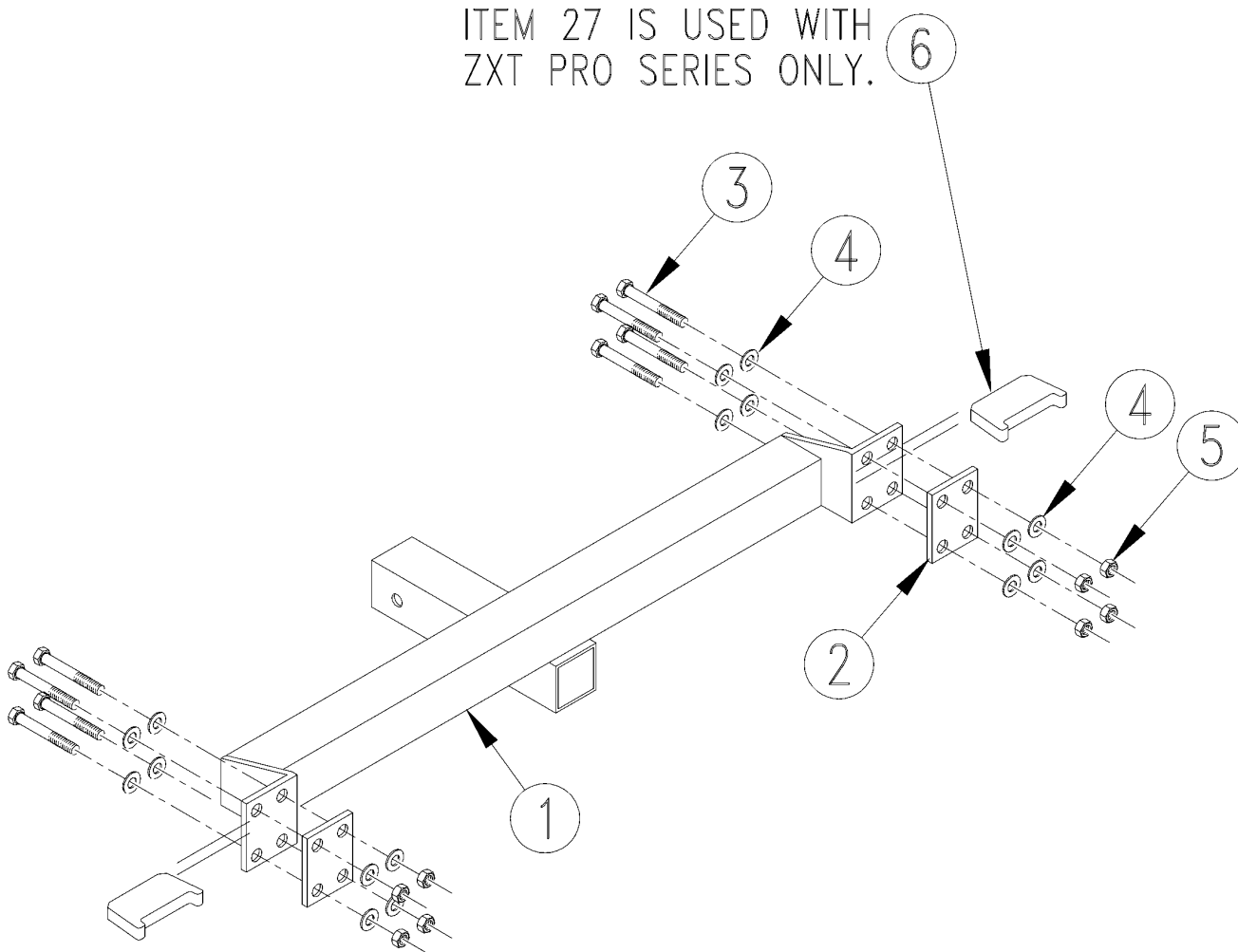
Snow Blade Mount Kit ZT60

Applies to ACCU-Z ZT60i (S/N 748109-), ACCU-Z ZT72i (S/N 748109-)

Ref	Part No.	Part Description	Comments	Revision
	dwg33577	Drawing Image Number		
	357-246A	MTG KIT, SNOW BLADE ZT60 *		
1.	50872	ZT60 RECEIVER HITCH		
2.	50888	CLAMP PLATE		
3.	802-168C	HHCS 3/8-16X3 1/4 GR5		
4.	804-011C	WASHER FLAT 3/8 USS PLT		
5.	803-078C	NUT LOCK 3/8-16 NYLON INSERT		
6.	60170	SPACER KIT		

Snow Blade Mount Kit ZT72/ZXT

Applies to ACCU-Z ZT60i (S/N 748109-), ACCU-Z ZT72i (S/N 748109-)

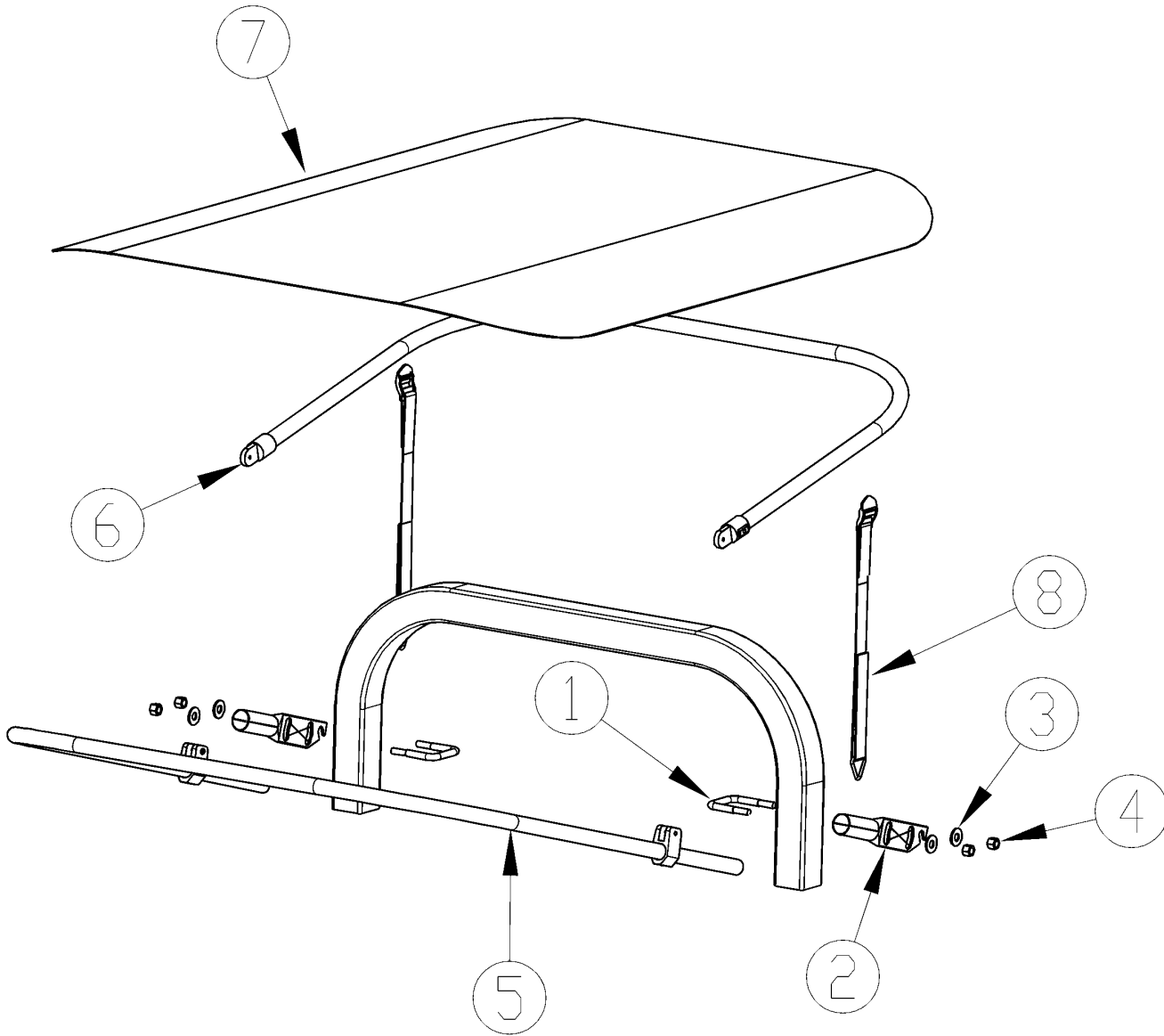


Snow Blade Mount Kit ZT72/ZXT**Applies to ACCU-Z ZT60i (S/N 748109-), ACCU-Z ZT72i (S/N 748109-)**

Ref	Part No.	Part Description	Comments	Revision
	dwg33578	Drawing Image Number		
	357-247A	MTG KIT, SNOW BLADE ZT72/ZXT *		
1.	50987	ZT72 RECEIVER HITCH		
2.	50888	CLAMP PLATE		
3.	802-024C	HHCS 3/8-16X3 GR5		
4.	804-011C	WASHER FLAT 3/8 USS PLT		
5.	803-078C	NUT LOCK 3/8-16 NYLON INSERT		
6.	60170	SPACER KIT		

Soft Top Canopy

Applies to ACCU-Z ZT60i (S/N 748109-), ACCU-Z ZT72i (S/N 748109-)



30196

Soft Top Canopy**Applies to ACCU-Z ZT60i (S/N 748109-), ACCU-Z ZT72i (S/N 748109-)**

Ref	Part No.	Part Description	Comments	Revision
	dwg30196 357-194A	Drawing Image Number ZT SOFT TOP SUN CANOPY GREY *		
1.	3-18000	U-BOLT SQ. 2X3X2		
2.	3-18713	TUBE MOUNTING 2" ROTATE		
3.	3-10086	3/8 WASHER		
4.	3-10073	3/8 NYLOCK		
5.	3-18638	TUBE FRONT HINGED		
6.	3-18641	TUBE REAR HINGED		
7.	3-18642	COVER FABRIC GREY		
8.	3-18644	STRAP ASSEMBLY		



Part Number Index

The Part Number Index is a numeric index of all part numbers included in this manual. The index shows what page(s) the part is used on.

Part Number	Page	Part Number	Page	Part Number	Page	Part Number	Page
0-332-209-150	37, 43	357-172S	9	357-870D	57	801-198C	35
10888	71, 73	357-179D	9	357-873D	29, 31	801-202C	7
11010-7020	47	357-186V	9	357-874D	41	801-205C	49, 51
11010-7028	45, 47	357-194A	89	357-875D	57	801-211C	33
11011-7047	47	357-208H	77	357-885D	65	801-217C	27
11011-7050	47	357-209A	77	357-886D	41	801-229C	57
11011-7056	45	357-216H	33	357-906D	61	802-004C	21
11054-7013-9X	47	357-217H	33	357-907D	61	802-007C	7
11054-7016-9X	47	357-218D	35	357-910D	19, 83	802-014C	19, 71, 73, 83
11055-7011-9H	45	357-224H	67	357-911D	19, 83	802-015C	61, 81
11055-7012-9H	45	357-234D	57	357-912D	19, 83	802-017C	27, 61, 65
11065-7008	47	357-243A	71	357-924D	61	802-023C	51
11065-7009	47	357-244A	73	357-925D	61	802-024C	87
11065-7017	47	357-246A	85	357-931D	81	802-041C	71, 73
11065-7025	45, 47	357-247A	87	357-940D	81	802-042C	13
11065-7031	45	357-258H	57	358-341D	65	802-050C	27
11065-7032	45	357-279D	67	358-342D	65	802-055C	67
130AA0616	45	357-280D	67	40683	71, 73	802-058C	67
172-242D	67	357-282D	61	40687	71, 73	802-079C	27, 29, 31, 49
2000014	25	357-289S	15, 17	40725	71	802-091C	65
2000015	25	357-330D	63	40743	71, 73	802-092C	33, 41, 81
2000023	25	357-338D	27	40771	71	802-094C	33
2000038	25	357-342D	33	40799	71, 73	802-099C	11, 13
203238	55	357-346D	7	40871	73	802-113C	63
20608	71, 73	357-356H	81	40894	73	802-130C	29, 31
230024700	13	357-357H	81	50173	25	802-137C	61
230321672	13	357-358A	81	50641	25	802-148C	79
2510071	25	357-368H	9	50872	85	802-149C	7, 9, 15, 17, 79
2513030	25	357-376H	41	50888	85, 87	802-155C	41
3-10073	89	357-377H	41	50987	87	802-168C	57, 85
3-10086	89	357-379H	7	51092	25	802-179C	63
3-18000	89	357-384H	57	51436	25	802-185C	7, 9, 57, 79
3-18638	89	357-387H	57	51457	25	802-216C	33
3-18641	89	357-391H	61	51462	25	802-218C	61
3-18642	89	357-393H	65	51796	23	802-227C	13
3-18644	89	357-394H	65	5181861	57	802-229C	67
3-18713	89	357-395A	83	51821	23	802-232C	35
30489	71, 73	357-397H	61	52371	25	802-257C	35
310-095H	67	357-401H	81	52628	25	802-258C	19, 75, 83
310-466A	67	357-402H	81	53-164	57	802-269C	57
310-469A	67	357-403A	81	60170	85, 87	802-270C	51
310-470A	67	357-403D	33	70402	25	802-297C	77
310-473A	67	357-405A	19, 75	70581	25	802-338C	67
310-630D	67	357-408A	19	70602-3	23	802-382C	65
356-074D	19	357-408D	7	70735	25	802-387C	21, 57, 61
356-137S	53, 55	357-409D	7	70738	25	802-431C	9, 35
357-001H	63	357-412H	7	70739	25	802-446C	29, 31
357-002D	63	357-413D	63	70740	25	802-459C	49, 51
357-002H	33	357-414D	7	70743	25	802-478C	7
357-009H	63	357-420A	13	711943772	13	802-567C	27, 67
357-014D	35	357-450D	79	71494	23	802-569C	33
357-020D	63	357-461D	79	71786	25	802-694C	51
357-021D	63	357-486D	49, 51	800-001C	27, 57, 67	802-698C	67
357-024H	67	357-487D	57	800-060C	79	802-732C	53, 55
357-042H	33	357-501A	55	800-080C	63	802-747C	19, 83
357-048H	27	357-503D	77	800-093C	57	802-778C	47
357-049H	27	357-513D	33	800-099C	67	802-794C	61
357-056H	33	357-586D	51	800-120C	7, 21, 35, 57	802-814C	63
357-057H	7	357-587D	51	800-121C	33	802-846C	47
357-064S	67	357-600S	65	800-234C	63	802-868C	71, 73
357-078S	67	357-615D	15, 17	800-241C	79	802-869C	71, 73
357-112D	35	357-628A	67	800-246C	33	802-900C	57
357-128L	7	357-629A	67	800-303C	37, 39, 53	802-907C	49
357-132S	63	357-634D	79	800-321C	49, 51	803-001C	49, 51
357-137L	21	357-652D	15, 17	800-356C	53, 55	803-006C	71, 73
357-145A	11	357-722D	61	800-370C	21	803-008C	35, 51
357-146A	13	357-728D	41	800-412C	55	803-011C	7, 15, 17, 19, 33
357-149D	63	357-803D	61	801-069C	9	803-013C	57
357-160A	79	357-804D	61	801-151C	33	803-014C	27, 29, 31
357-171H	9	357-862D	41	801-160C	35, 41	803-019C	11, 13, 71, 73

Table of Contents Part Number Index



Part Number Index (continued)

Part Number	Page	Part Number	Page	Part Number	Page	Part Number	Page
803-020C	29, 31, 57	807-280C	33	826-619C	51	841-146C	21
803-043C	33, 81	807-288C	19, 75, 83	826-649C	49	841-147C	29, 31
803-052C	63	807-293C	57	829-120C	53, 55	841-148C	29, 31
803-059C	65	807-296C	57	829-128C	49, 51	841-149C	21, 29, 31
803-068C	7, 9	808-127C	67	830-009C	55	841-160C	21
803-078C	27, 33, 85, 87	808-129C	67	830-393C	53, 55	841-450C	29, 31
803-084C	35, 61	808-296C	27	831-031C	53	841-471C	29, 31
803-088C	79	808-361C	67	831-034C	51	841-474C	29, 31
803-114C	67	808-362C	27	831-035C	55	848-028C	69
803-115C	67	808-363C	51	831-073C	49	848-030C	69
803-119C	67	808-414C	67	831-075C	45	848-267C	69
803-124C	71, 73	808-419C	49	831-076C	45	848-268C	69
803-169C	65	810-223C	21	833-019C	35	848-285C	69
803-177C	41, 51	810-590C	21	833-269C	79	848-469C	69
803-178C	61	810-666C	29, 31	833-271C	79	848-470C	69
803-193C	19, 33, 75, 83	810-816C	21, 27, 29	833-275C	79	848-489C	69
803-196C	63	810-817C	21, 27, 31	833-336C	35, 37	848-496C	19, 83
803-198C	67	811-203C	21	833-341C	35, 37, 41	890-058C	65
803-199C	35	814-304C	57	833-342C	35	890-079C	33
803-209C	7, 9, 15, 17, 19, 41, 61, 65, 79, 81, 83	814-305C	59	833-350C	35, 37	890-099C	33
803-214C	63	814-310C	59	833-351C	35, 37	890-106C	49, 51
803-220C	49	814-311C	59	833-352C	35, 37	890-115C	49, 51
803-263C	67	814-323C	57	833-382C	35	890-200C	67
803-270C	41	815-325C	29, 31	833-419C	49	890-204C	67
803-275C	63	815-326C	29	833-420C	43	890-245C	77
803-305C	27, 33	815-327C	31	833-430C	49, 51	890-698C	67
803-326C	35	816-191C	35	833-444C	79	890-702C	67
803-329C	29, 31, 59	816-298C	61	833-445C	15, 17, 19, 83	890-914C	51
803-333C	13	816-461C	33	833-457C	35	890-947C	51
803-380C	57	816-483C	19, 61, 83	833-465C	39, 43	890-951C	67
804-006C	21, 35	816-491C	7	833-486C	39	890-952C	67
804-007C	7, 21, 35	816-527C	49, 51	833-488C	37	890-972C	33
804-009C	35	816-537C	61	833-514C	43	891-157C	41
804-011C	27, 71, 73, 85, 87	816-616C	27	838-303C	69	891-158C	41
804-012C	27, 29, 31, 33, 51, 57	816-645C	57	838-306C	69	891-193C	49
804-013C	27, 29, 31, 49, 51	816-649C	57	838-307C	69	9005110-5600	25
804-014C	49, 51, 67	816-650C	67	838-308C	69	92171-7007	45, 47
804-015C	29, 31, 57	816-651C	67	838-310C	69	92171-7023	47
804-016C	19, 41, 61, 63, 75, 83	816-779C	27	838-328C	69	92192-7087	47
804-019C	63	817-028C	27, 67	838-444C	69	92192-7147	45
804-022C	27, 67	817-246C	41	838-811C	69	92192-7189	47
804-030C	71, 73	817-560C	19, 83	838-812C	69	990-024R	57
804-036C	7, 15, 17, 19, 33, 35	817-562C	33, 41	838-814C	69	990-225R	53, 55
804-039C	71, 73	817-581C	61	838-815C	69	990-249R	49, 51
804-041C	13	817-618C	33	838-829C	69	9WM641-8	11
804-046C	49, 51	817-630C	53	838-951C	21	9WM641-9	11
804-054C	49, 51	817-631C	63	839-002C	17	dwg24626	35
804-093C	67	817-684C	57	839-049C	49, 51	dwg24634	59
804-110C	67	817-698C	21	839-110C	49, 51	dwg24683	13
804-136C	57	817-760C	53	839-112C	27	dwg24684	11
804-138C	49, 51	817-761C	53	839-148C	17	dwg25840	37
804-201C	29, 31	817-768C	21	839-149C	17	dwg25854	39
805-032C	77	817-790C	57	839-287C	37	dwg25856	63
805-064C	41	817-843C	57	839-288C	37	dwg25858	47
805-106C	63	817-844C	57	839-320C	15, 19	dwg27850	45
805-109C	23	817-845C	57	839-385C	15	dwg30002	67
805-307C	7	817-887C	55	839-411C	15	dwg30003	61
805-334C	77	817-888C	55	839-416C	15	dwg30005	65
805-391C	7	818-190C	69	839-417C	17	dwg30022	57
805-405C	67	818-543C	69	839-418C	17	dwg30026	41
805-409C	57	822-006C	67	839-970C	15	dwg30034	7
806-218C	65	822-161C	67	839-971C	15	dwg30036	19
807-068C	67	822-222C	57	839-973C	47	dwg30038	9
807-175C	7	822-223C	57	839-974C	47	dwg30039	21
807-240C	63	822-247C	57	840-073C	11, 13	dwg30040	27
807-242C	27	823-243C	11	840-262C	7	dwg30041	29
		823-249C	13	840-272C	13	dwg30042	31
		823-392C	13	841-135C	29, 31	dwg30044	51
		826-535C	51	841-142C	21	dwg30046	49
		826-613C	49	841-143C	21	dwg30048	69
		826-616C	51	841-145C	21	dwg30070	53



Part Number Index (continued)

<u>Part Number</u>	<u>Page</u>
dwg30077	15
dwg30078	17
dwg30079	43
dwg30080	33
dwg30081	25
dwg30082	23
dwg30119	81
dwg30195	77
dwg30196	89
dwg30755	55
dwg33569	79
dwg33571	83
dwg33572	75
dwg33574	71
dwg33575	73
dwg33577	85
dwg33578	87
N/A	23, 35, 45, 49, 51, 55
TR-412	57, 59
XP8510	11
XP8513	11

This Page Intentionally Left Blank



Great Plains Manufacturing, Inc.

Corporate Office: P.O. Box 5060
Salina, Kansas 67402-5060 USA

www.landpride.com
